

WINMAN HCG/HCT Tipi Basınç Kontrol Valfleri / HCG/HCT Type Pressure Control Valves

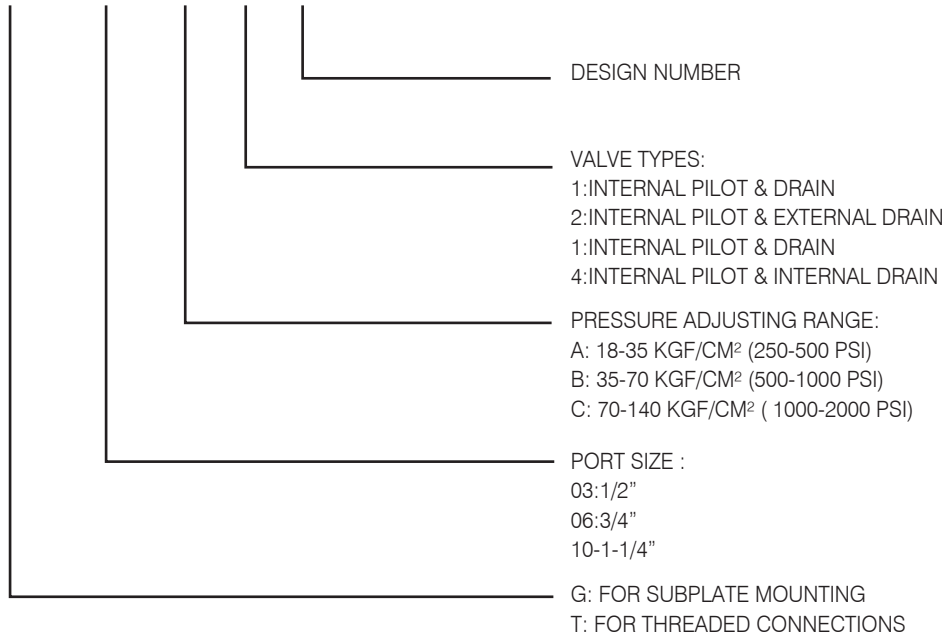
HCG-03, 06 & 10 HCT-03,06 & 10 Series


İşlevi / Function

The HCG-HCT type pressure control valves can be operated by either internal or external pressure control. These are direct acting valves with check valves inside, which can make free flow oppositely from 2ND side way to ist side way. As to different way of assembly, it can be a sequence valve or counter balance valve. All these valves can be internal or remote controlled and operated by the increasing of system pressure.

Teknik Veri / Technical Data

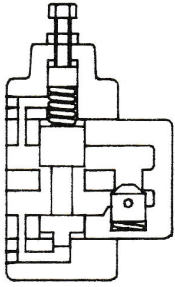
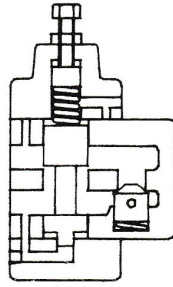
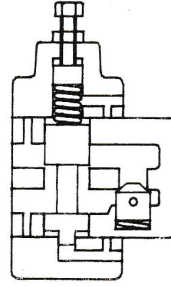
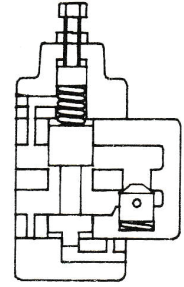
Model No	Max. Pressure Kgf/ cm ² (PSI)	Pressure Adj. Range Kgf/ cm ²	Max. Flow LPM (gpm)	Mounting Bolts Meter (inch)	Weight
HCG-03	210 (3000)	A: 18-35 (250-500)	50 (13.2)	M10X70L(3/8"--2-3/4")4PCS	4.9 KGS
HCT-03					4.3 KGS
HCG-06		B:35-70 (500-1000)	125 (33)	M10X80L(3/8"--3-1/4")4PCS	7.8 KGS
HCT-06					7.1 KGS
HCG-10		C:70-140 (1000-2000)	250 (66)	M10X90L(3/8"--3-1/2")6PCS	13.9 KGS
HCT-10					14.7 KGS

Sipariş Kodu / Ordering Code
HCG -- 03 -- A -- 1 -- 50


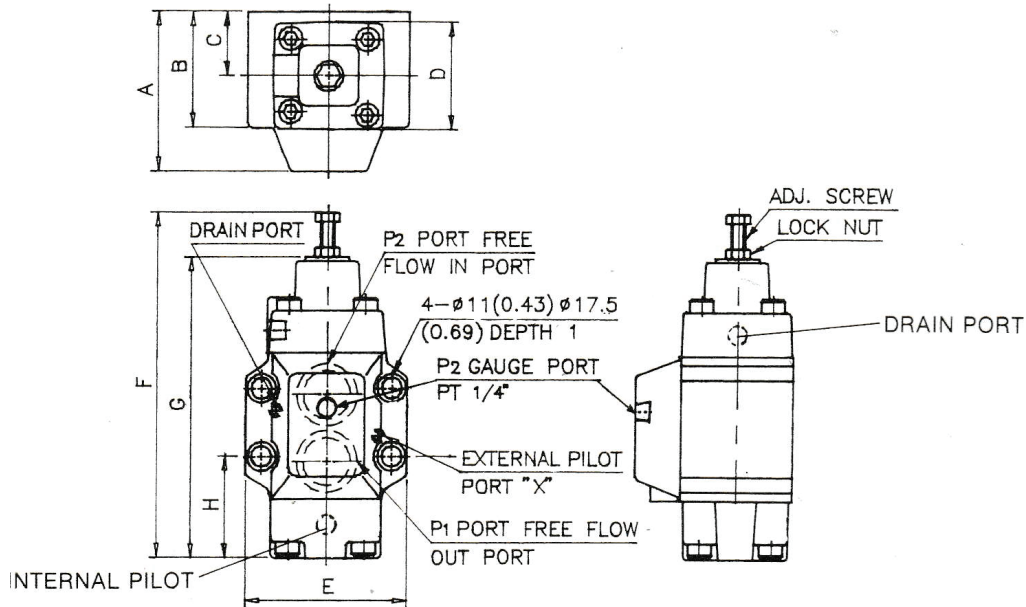
WINMAN HCG/HCT Tipi Basınç Kontrol Valfleri / HCG/HCT Type Pressure Control Valves

HCG-03, 06 & 10 HCT-03,06 & 10 Series

Valf Tipleri ve Sembolleri / Valve Types & Symbols

Type 01
 Counter Balance
 Valve

Type 02
 Sequence With
 Check Valve

Type 03
 Sequence With
 Check Valve

Type 04
 Counter Balance
 Valve

Uyarılar / Remarks

- * Type 01 can be a counter balance valve, IF 1 ST pressure exceed setting pressure then flow pressure can be released to keep steady pressure..
- * Type 02 used to control 2 or more sequential actions. If pressure of 1 ST action exceed valve's setting pressure, then flow shall turn to pressure side of 2 ND action and with check valve for opposite free flow.
- * Type 03 function purpose is same as type 02, only type 03 is external pressure control and no concerned with ist pressure. With check valve for opposite free flow.
- * Type 04 used as counter balance valve it's function purpose is same to type 01.
 Only type 04 is external pressure control and no concern with ist pressure.
 With check valve for opposite free flow.

Boyutlar / Dimensions
HCG-03 & 06


Model	A	B	C	D	E	F	G	H	UNIT
HCG-03	89	60	37	61.5	89	197	169	51	MM
	3.5	2.36	1.46	2.42	3.5	7.76	6.65	2.0	INCH
HCG-06	109	69	40	73	100	225	196	52.5	MM
	4.29	2.72	1.57	2.87	3.94	8.86	7.72	2.07	INCH