

WINMAN A,B Serisi Şartlandırıcı Grupları / A,B Series Preparation Unit

AL, BL Serisi Yağlayıcı / AL, BL Series Lubricator

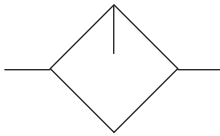


Özellikler / Specification

Model	AL1500	AL2000	BL2000	BL3000	BL4000
Fluid	Air				
Port size [Note1]	1/8"	1/4"	1/4"	3/8"	1/2"
Pressure range	0.05~1.0MPa(7~145Psi)				
Proof pressure	1.5MPa(215Psi)				
Temperature range	-5~70°C(unfreeze)				
Capacity of oil bowl	25CC		90CC		
Recommended lubricant	ISO VG 32 or equivalent				
Weight	170g		250g		

[Note1] PT thread, G thread and NPT thread are available.

Sembol / Symbol



Üretim Özelliği / Production Feature

1. The structure is delicate and compact.
2. The quantity of oil dripping can be directly observed through transparent inspection sheet.
3. BL has high-strength plastic shields, which is more safe and reliable to use.
4. The pressure loss and the flow of miststart is low.

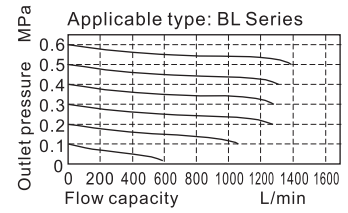
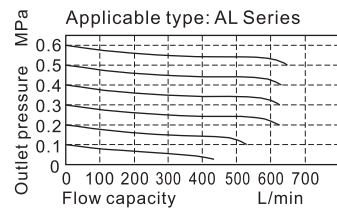
Sipariş Kodu / Ordering Code

AL 2000

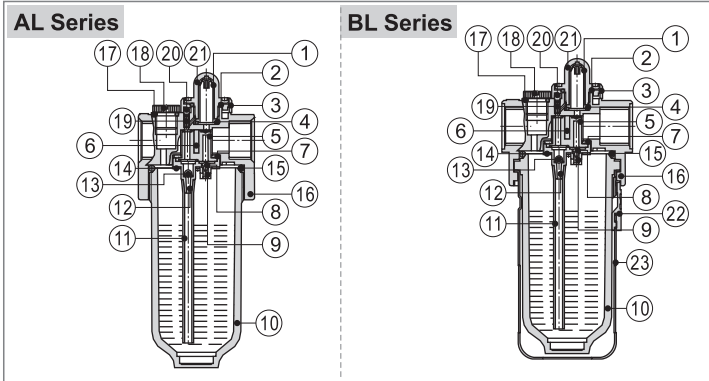
① ② ③

① Model	② Port size	③ Thread type
AL: A Series Lubricator	1500: 1/8" 2000: 1/4"	Blank: PT G: G T: NPT
BL: B Series Lubricator	2000: 1/4" 3000: 3/8" 4000: 1/2"	

Akış Şeması / Flow Chart



İç Yapısı / Inner structure



No.	Item	Material	No.	Item	Material
1	Drip pipe	PC	13	Ball	Stainless steel
2	Dripper O-ring	NBR	14	Lubricator fixed plate	SPCC
3	Oil adjusting dial	POM	15	Oil bowl O-ring	NBR
4	Adjusting ring	NBR	16	Body	Aluminum alloy
5	Lubricator seat	POM	17	Oil filling nut O-ring	NBR
6	Partition	PU	18	Oil filling plug	Steel
7	Lubricator kit gasket	NBR	19	Needle spring	Stainless steel
8	Adjustor	HDPE	20	Injector pin	Bronze
9	Return spring	Stainless steel	21	Check-dome	PC
10	Oil bowl	PC	22	Bowl guard switch	POM
11	Sunk tube	PU	23	Bowl guard	PA6
12	Lubricator kit	POM			

Boyutlar / Dimensions

