

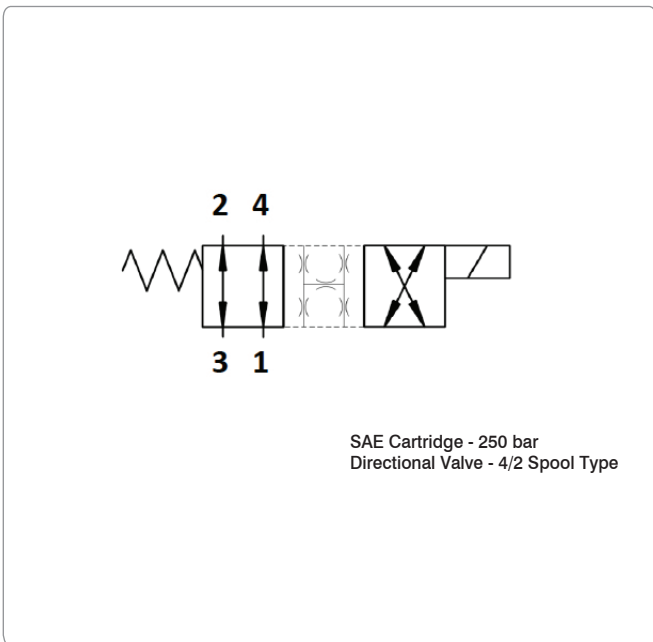
WINMAN WVA0.S08.A Serisi 4/2 Solenoid Valfler / WVA0.S08.A Series 4/2 Solenoid Valves



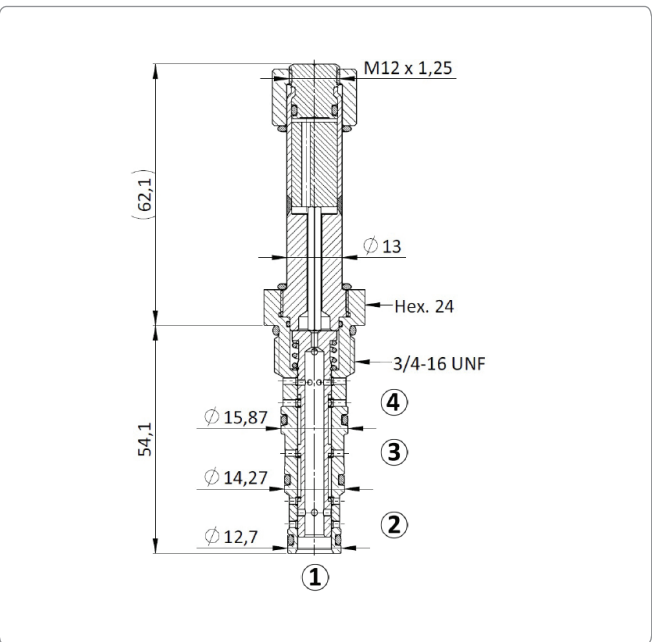
**Açıklama / Description**

A solenoid-operated, 4-way, 2-position, spool-type, direct-acting, screw-in hydraulic cartridge valve. In the de-energized mode the WVA0.S08 flow paths are 1 to 4 and 3 to 2. In the energized mode the valve's spool shifts to open 1 to 2 and 3 to 4. The rigid design using a 1-piece body contributes to minimize the effect of eccentricities in cavity and provides great reliability. All ports are connected at crossover. Low pressure drop thanks to optimized paths.

**Sembol / Symbol**



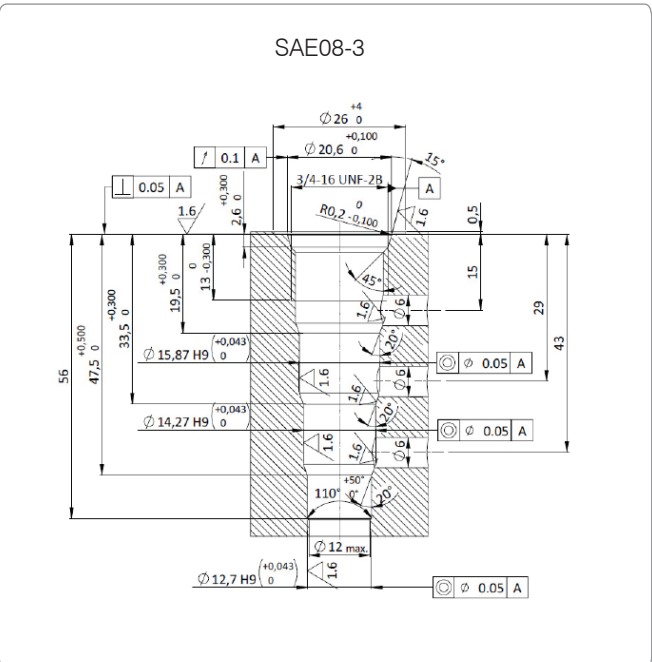
**Enine Kesit / Cross Section**



**Teknik Özellikler / Technical Features**

All external surfaces are zinc plated and corrosion-proof. All valve parts are made of high strength steel. Spool and cage are hardened and super-finished to ensure minimal wear and extended service life. Coil seals protect the solenoid system. Industry SAE common cavity.

**Boşluk Detayları / Cavity Details**



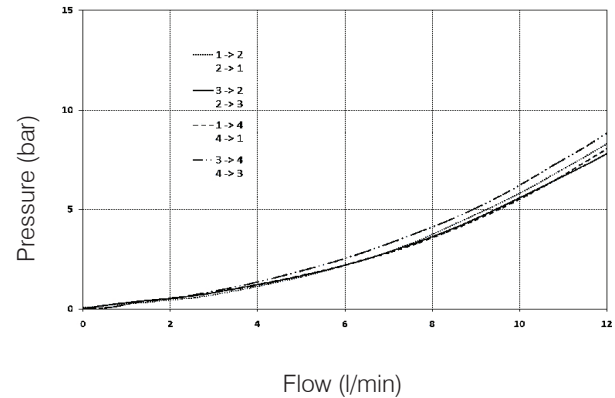
## WINMAN WVA0.S08.A Serisi 4/2 Solenoid Valfler / WVA0.S08.A Series 4/2 Solenoid Valves

## Teknik Veri / Technical Data

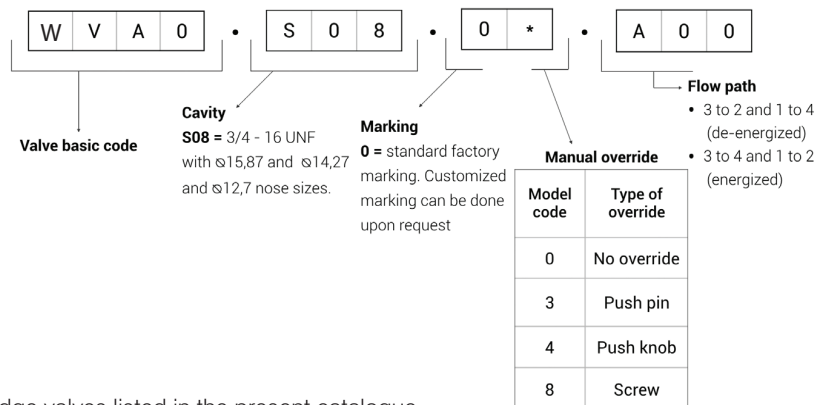
Maximum operating pressure	250 bar
Maximum flow	12 l/min
Maximum internal leakage	150 cm <sup>3</sup> /min @ 250 bar
External component treatment	Zn/Fe - standard (96h) Zn/Ni (720h)
O-ring Temperature Range	-30° C to 110° C (standard sealing NBR - BUNA-N)
Oil Temperature Range	-30° C to 110° C
Fluids	Mineral - based or synthetics with lubricating properties
Viscosities	7,4 to 420 cSt
Minimum pull-in voltage	85% of nominal
Filtration	20/18/15 ISO 4406 (maximum filtration admitted)
Orientation	No restrictions
Installation torque	25 -30 Nm (Hex. 24)
Technical specifications for characterization	See page X
Oil testing condition	ISO VG 46 cSt
Seal kit code	SK.065 and SK.027 (coil)
Coil	22W (for more details see page X)
Weight	0,160 kg

## Performans Detayları / Performance Details

Note: the performance chart illustrates flow handling capacity in all possible directions (de-energized/ energized). p/Q curves are recorded at TOil = 40°C and 46 cSt.



## Sipariş Kodu / Ordering Code



Note: All Solenoid cartridge valves listed in the present catalogue are designed to work with D.C. power supply. To work with A.C. power supply, a RAC coil and connector with rectifier must be used. For any additional information, please contact your Sales contact representative.