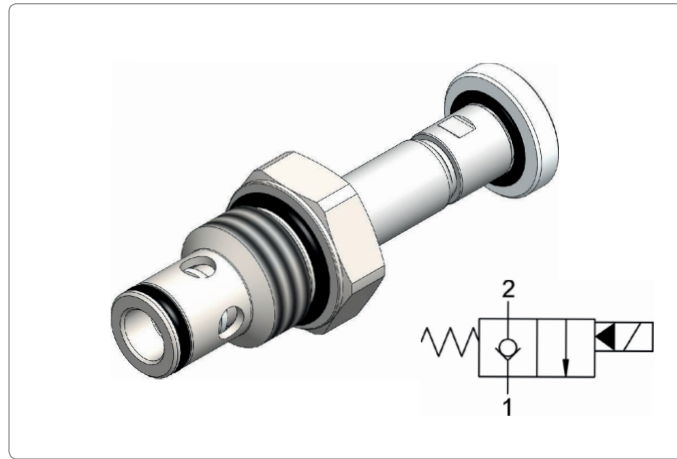


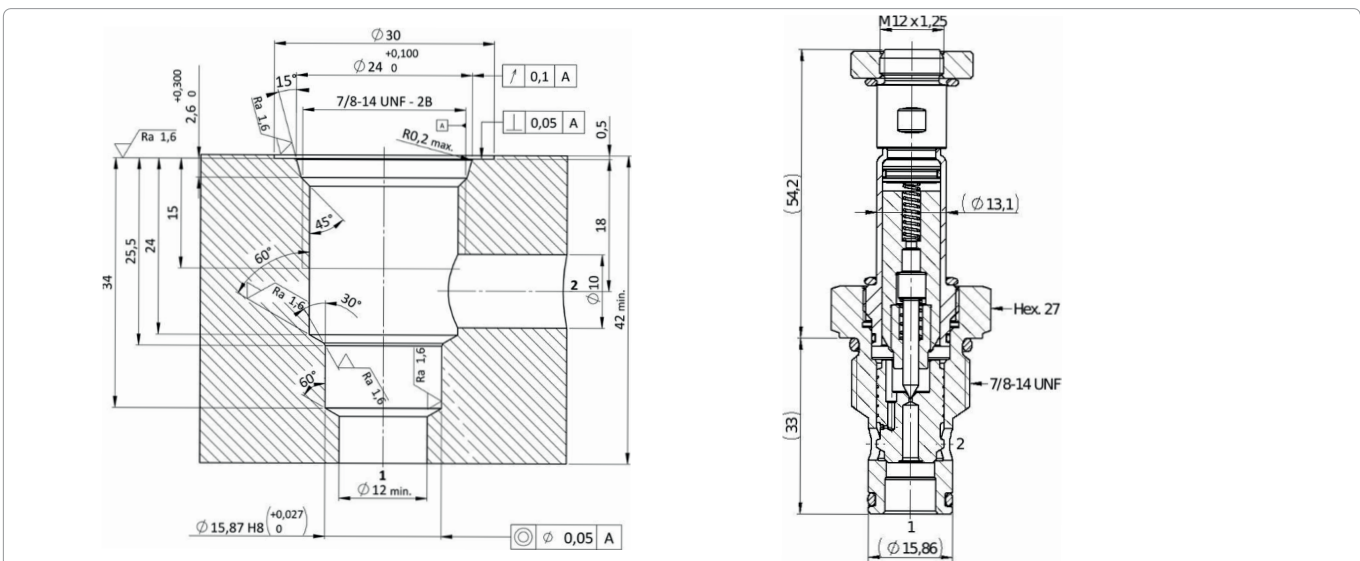
## WSVS0 2/2 Popet Katriçleri Normalde Kapalı / WSVS0 2/2 Popet Katriçleri Normalde Kapalı



## Özellikler / Specification

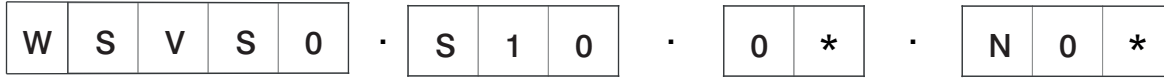
<b>MAXIMUM OPERATING PRESSURE</b>	350 bar
<b>MAXIMUM FLOW</b>	80 l/min
<b>MAXIMUM INTERNAL LEAKAGE</b>	0,25 cm <sup>3</sup> / min @ 350 bar
<b>EXTERNAL COMPONENT TREATMENT</b>	Zn/Fe - standard (96h) Zn/Ni (720h) (Upon customer request)
<b>SWITCH ON TIME</b>	30 ms
<b>SWITCH OFF TIME</b>	50 ms
<b>O-RING TEMPERATURE RANGE</b>	-30° C to 110° C (standard sealing NBR - BUNA - N) -35° C to 140° C (HNBR - Upon customer request) -23° C to 225° C (FKM - Upon customer request)
<b>OIL TEMPERATURE RANGE</b>	-30° C to 110° C
<b>FLUIDS</b>	Mineral - based or synthetics with lubricating properties
<b>VISCOSITIES</b>	7,4 to 420 cSt
<b>MINIMUM PULL-IN VOLTAGE</b>	85% of nominal
<b>FILTRATION</b>	20/18/15 ISO 4406 (maximum filtration admitted)
<b>ORIENTATION</b>	No restrictions
<b>INSTALLATION TORQUE</b>	65-75 Nm  Hex.27
<b>TECH. SPEC. FOR CHARACTERIZATION</b>	see page 698
<b>OIL TESTING CONDITIONS</b>	ISO VG 46 cSt
<b>SEAL KIT CODE</b>	SK.032 and SK.027 (coil) (standard sealing NBR-BUNA-N)
<b>COIL</b>	18W (for more details see page 601 - 611)
<b>WEIGHT</b>	0,139 kg

## Teknik Çizim / Technical Drawing



WSVS0 2/2 Popet Katriçleri Normalde Kapalı / WSVS0 2/2 Popet Katriçleri Normalde Kapalı

Ordering Code



**VALVE BASIC CODE**

**SIZE**

7/8-14 UNF with Ø15,86 nose size

**MARKING**

0 = Standard factory marking. Customized marking can be done upon request.

**MANUAL OVERRIDE**

Model code	Type of override
0	No override
1	Screw
2	Push and Twist
6	Pull and Hold
9	Pull and Hold with screw 10-32 UNF
A	Pull and Hold with screw M8 (max. operating pressure: 300 bar)

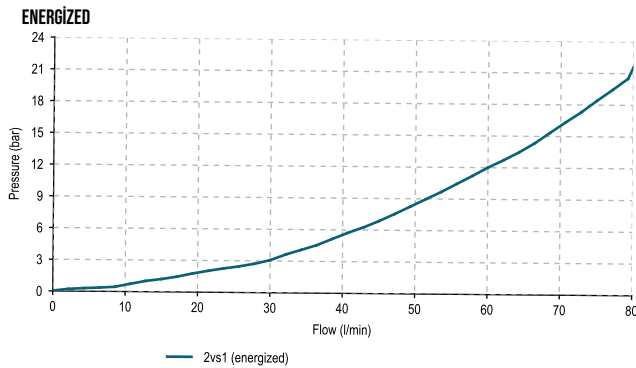
**FILTRATION**

Model code	Type of filter
N	No filter

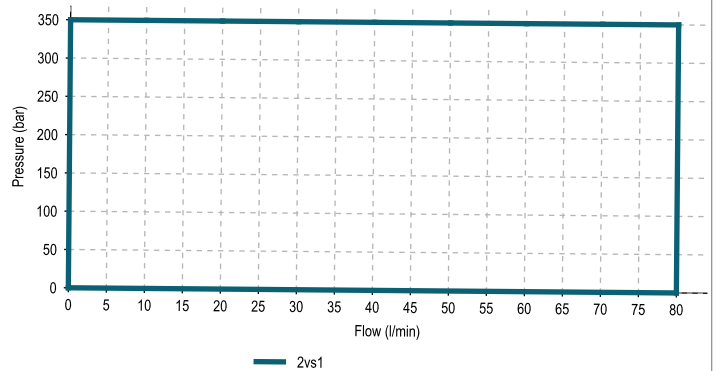
**NOTE**  
Customized nut can be selected

Specifications may change without notice.

The performance chart illustrates flow handling capacity 2 to 1 (energized). p,Q curve is recorded at Toil = 40°C and 46 cSt.



**PERFORMANCE LIMITS**



**NOTE**

The performance chart illustrates flow handling capacity 2 to 1 (energized). p,Q curve is recorded at Toil = 40°C and 46 cSt.