

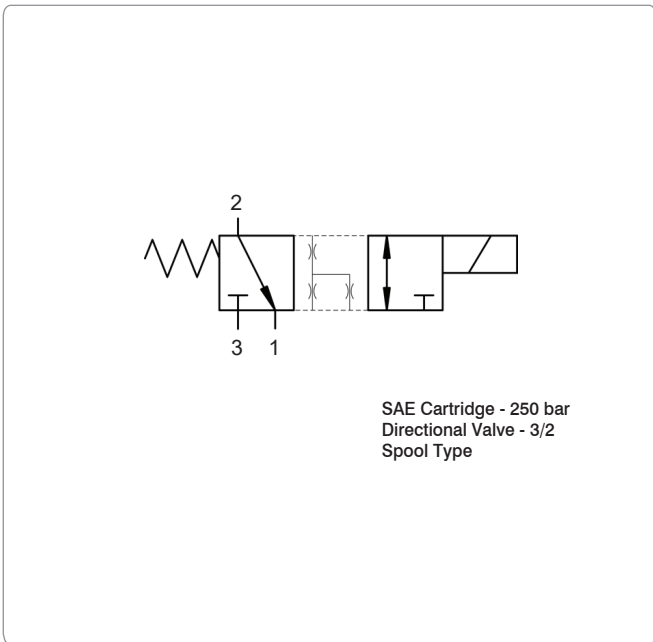
WINMAN WVP0.S08-2 Serisi Solenoid Valfler / WVP0.S08-2 Series Solenoid Valves



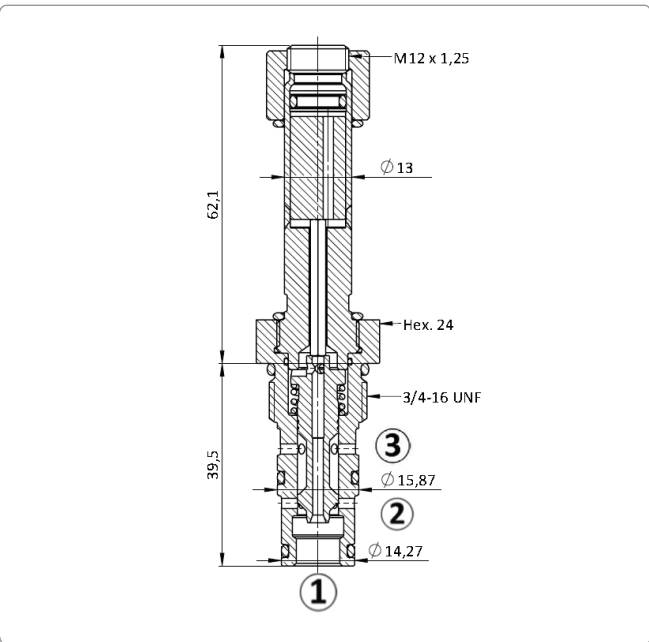
Açıklama / Description

A solenoid operated, 3 way 2 positions, spool type, direct acting, screw-in hydraulic directional cartridge valve. In the de-energized mode, the WVP0.S08 allows flow between ports 2 and 1, while blocking flow at 3. In the energized mode, bidirectional flow is allowed between ports 2 and 3, while flow is blocked at 1. Even if port 1 may be fully pressurized, it is not intended to be used as the inlet. The rigid design using a 1-piece body contributes to minimize the effect of eccentricities in cavity and provides great reliability. Low pressure drop thanks to optimized flow path.

Sembol / Symbol



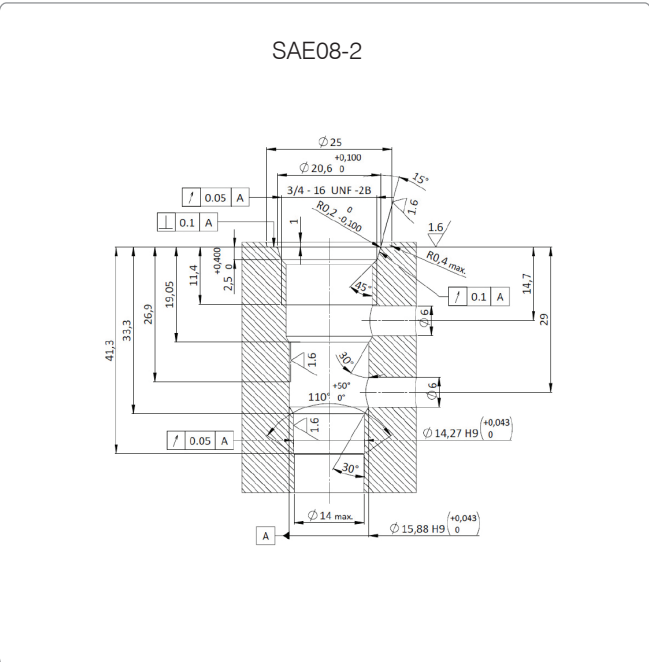
Enine Kesit / Cross Section



Teknik Özellikler / Technical Features

All external surfaces are zinc plated and corrosion-proof.
All valve parts are made of high strength steel.
Spool is hardened and micron finished to ensure minimal wear and extended service life. Coil seals protect the solenoid system. Manual override option.
Industry SAE common cavity.

Boşluk Detayları / Cavity Details

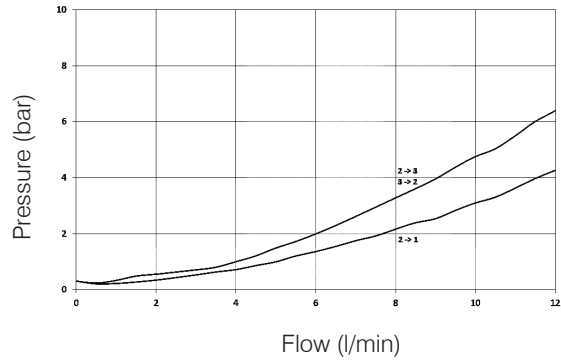
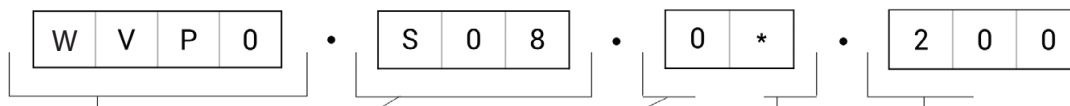


WINMAN WVP0.S08-2 Serisi Solenoid Valfler / WVP0.S08-2 Series Solenoid Valves
Teknik Veri / Technical Data

Maximum operating pressure	250 bar
Maximum flow	12 l/min
Maximum internal leakage	85 cm ³ /min @ 250 bar
External component treatment	Zn/Fe - standard (96h) Zn/Ni (720h)
O-ring Temperature Range	-30° C to 110° C (standard sealing NBR - BUNA-N)
Oil Temperature Range	-30° C to 110° C
Fluids	Mineral - based or synthetics with lubricating properties
Viscosities	7,4 to 420 cSt
Minimum pull-in voltage	85% of nominal
Filtration	20/18/15 ISO 4406 (maximum filtration admitted)
Orientation	No restrictions
Installation torque	35 -40 Nm (Hex. 24)
Technical specifications for characterization	See page X
Oil testing condition	ISO VG 46 cSt
Seal kit code	SK.035 and SK.027 (coil)
Coil	22W (for more details see page X)
Weight	0,140 kg

Performans Detayları / Performance Details

Note: The performance chart illustrates flow handling capacity 2 to 1 (de-energized), 2 to 3 and 3 to 2 (energized). p/Q curves are recorded at TOil = 40°C and 46 cSt


Sipariş Kodu / Ordering Code


Valve basic code

Cavity
S08 = 3/4 - 16 UNF with $\varnothing 15,87$ and $\varnothing 14,27$ nose size.

Marking
0 = standard factory marking. Customized marking can be done upon request

Manual override

Model code	Type of override
0	No override
3	Push pin
4	Push knob
8	Screw

Flow path

- 1 and 2 connected, 3 blocked (de-energized)
- 2 and 3 connected, 1 blocked (energized)

Note: All Solenoid cartridge valves listed in the present catalogue are designed to work with D.C. power supply. To work with A.C. power supply, a RAC coil and connector with rectifier must be used. For any additional information, please contact your Sales contact representative.