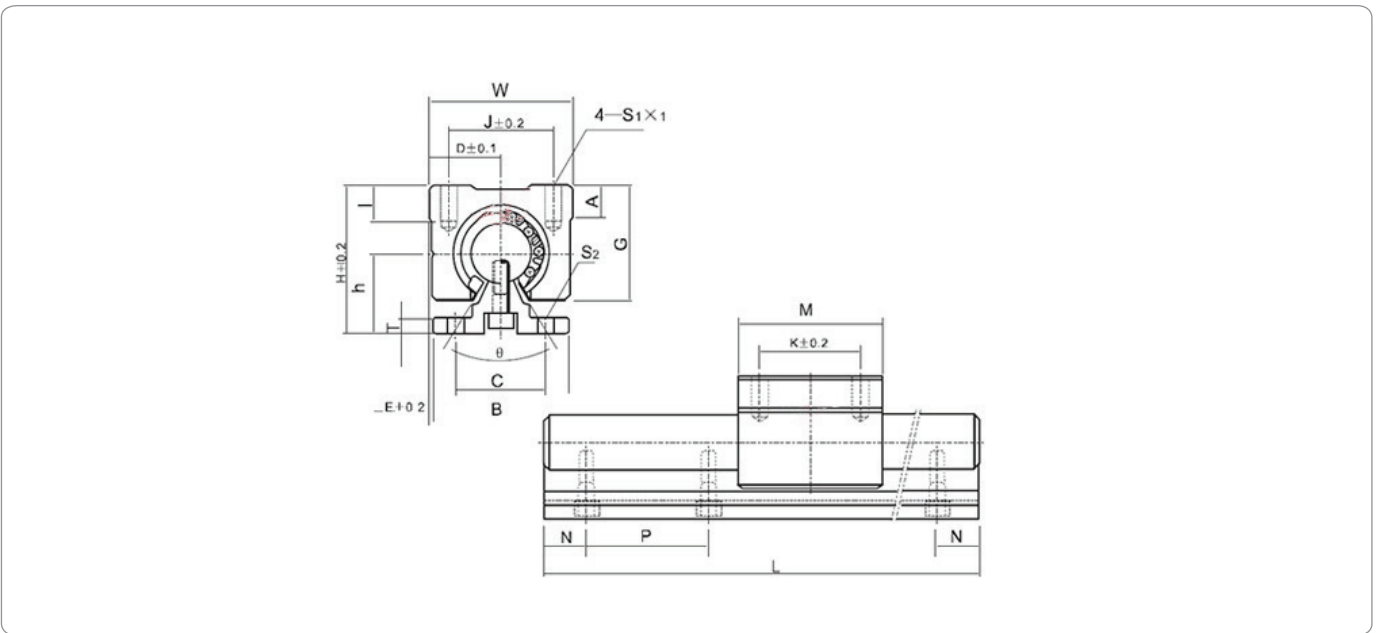


WINMAN SBR Serisi Lineer Klavuzlama Sistemi / SBR Series Linear Guiding System



Sembol / Symbol



Sliding Block	Nominal Shaft Diameter	Base load factor		Weight		Dimensions(mm)							
		Dynamical load C(N)	Statical load Co(N)	Block (kgf)	Track (kgf/m)	D	h	H	E	θ	W	G	A
SBR 12 UU	Ø12	420	800	0.1	1.59	17	20.46	37.46	3	80°	40	27.6	8
SBR 16 UU	Ø16	770	1170	0.15	2.55	22.5	25	45	2.5	80°	45	33	9
SBR 20 UU	Ø20	860	1370	0.20	3.50	24	27	50	1.5	60°	48	39	11
SBR 25 UU	Ø25	980	1560	0.45	5.30	30	33	60	2.5	50°	60	47	14
SBR 30 UU	Ø30	1560	2740	0.63	7.40	35	37	70	5	50°	70	46	15
SBR 40 UU	Ø40	2150	4010	1.33	13.10	45	48	90	7.5	50°	90	72	20

Sliding Block	Dimensions(mm)									
	B	T	M	S ₁ X1	J	K	S ₂	C	N*	P*
SBR 12 UU	34	4.5	39	M5X10	28	26	Ø4.3	25	-	100
SBR 16 UU	40	5	45	M5X12	32	30	Ø5.5	30	-	150
SBR 20 UU	45	5	50	M6X12	35	35	Ø5.5	30	-	150
SBR 25 UU	55	6	65	M6X12	40	40	Ø6.6	35	-	200
SBR 30 UU	60	7	70	M8X18	50	50	Ø6.6	40	-	200
SBR 40 UU	75	9	90	M10X20	65	65	Ø9	55	-	200