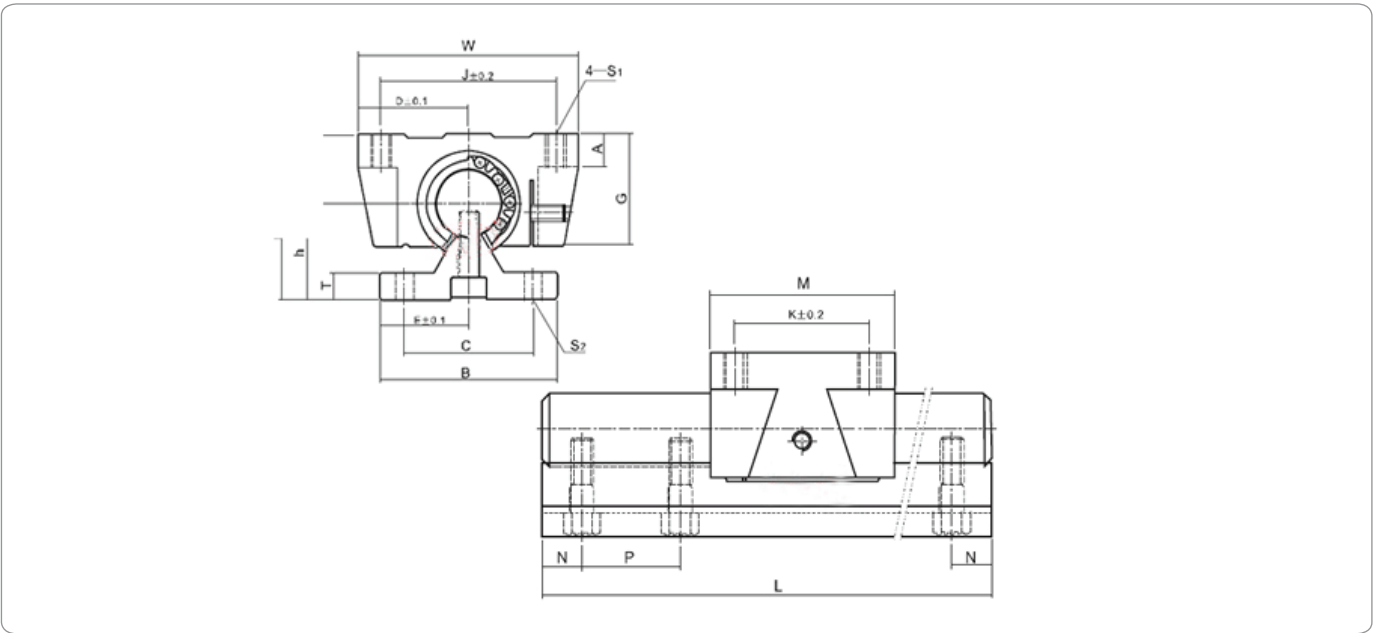


WINMAN TBR Serisi Lineer Klavuzlama Sistemi / TBR Series Linear Guiding System



Teknik Çizim / Technical Drawing



Sliding Block	Nominal Shaft Diameter	Base load factor		Weight		Dimensions(mm)						
		Dynamical load C(N)	Statical load Co(N)	Block (kgf)	Track (kgf/m)	D	h	H	E	W	G	A
TBR 16 UU	Ø16	392	490	2.45	0.18	31	22.14	40	25	62	26	8
TBR 20 UU	Ø20	784	1176	3.60	0.30	34	29.01	50	27.5	68	31	10
TBR 25 UU	Ø25	1568	2352	5.60	0.60	41	31.97	60	32.5	82	41	12
TBR 30 UU	Ø30	1764	2940	8.00	0.90	45.5	36.52	70	37.5	91	48	12

Sliding Block	Dimensions(mm)										Inventory
	B	T	M	S ₁	J	K	S ₂	C	N*	P*	
TBR 16 UU	50	6	42	M5	50	30	Ø5.5	37	-	150	↓
TBR 20 UU	65	8	51	M6	54	37	Ø5.5	40	-	150	↓
TBR 25 UU	65	10	65	M8	65	50	Ø6.6	45	-	200	↓
TBR 30 UU	75	12	75	M8	75	60	Ø6.6	55	-	200	↓