

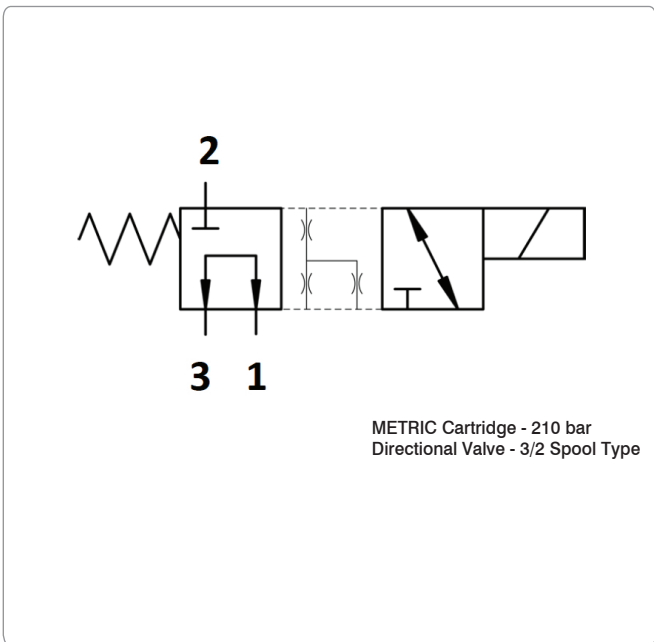
WINMAN WVP0.M18-100 Serisi Solenoid Valfler / WVP0.M18-100 Series Solenoid Valves



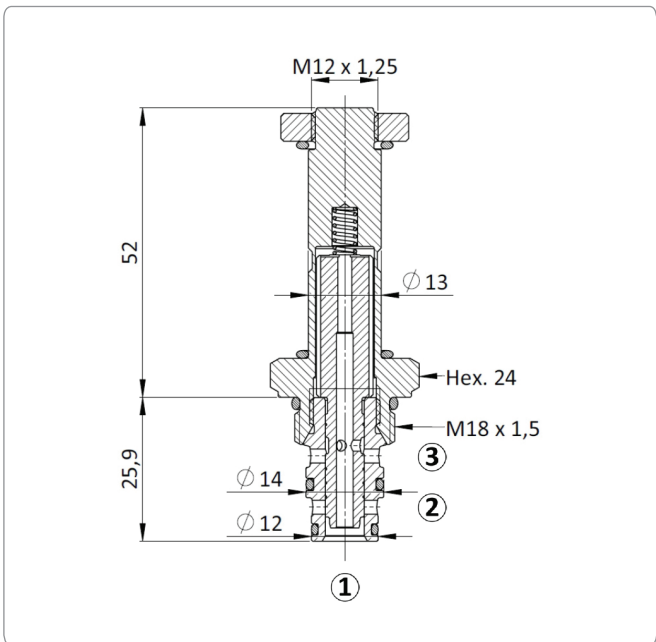
Açıklama / Description

A solenoid operated, 3 way 2 positions, spool type, direct acting, screw-in hydraulic directional cartridge valve. In the de-energized mode, the WVP0.M18 allows flow bidirectionally between ports 1 and 3, while blocking flow at 2. In the energized mode, bidirectional flow is allowed between ports 1 and 2, while flow is blocked at 3. Even if port 1 may be fully pressurized, it is not intended to be used as the inlet. Low pressure drop thanks to optimized flow path.

Sembol / Symbol



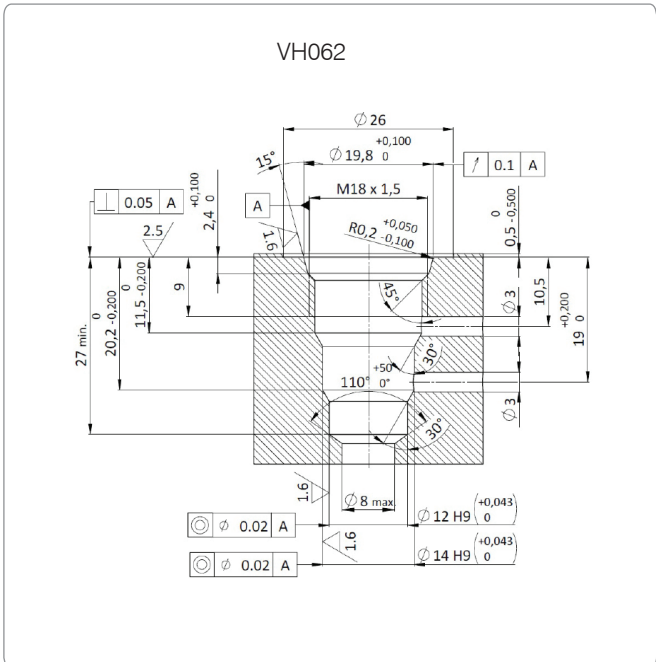
Enine Kesit / Cross Section



Teknik Özellikler / Technical Features

All external surfaces are zinc plated and corrosion-proof. All valve parts are made of high strength steel. Spool and cage are hardened and super-finished to ensure minimal wear and extended service life. Coil seals protect the solenoid system. Metric cavity.

Boşluk Detayları / Cavity Details



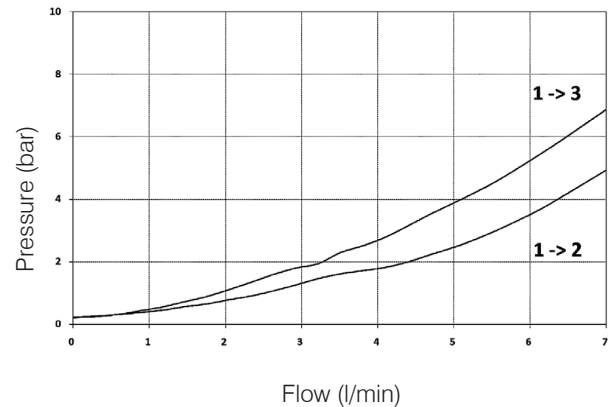
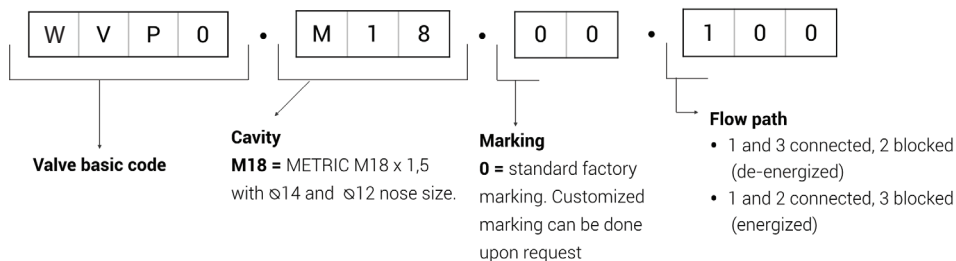
WINMAN WVP0.M18-100 Serisi Solenoid Valfler / WVP0.M18-100 Series Solenoid Valves
Teknik Veri / Technical Data

Maximum operating pressure	210 bar
Maximum flow	7 l/min
Maximum internal leakage	20 cm ³ /min @ 210 bar
External component treatment	Zn/Fe - standard (96h) Zn/Ni (720h)
O-ring Temperature Range	-30° C to 110° C (standard sealing NBR - BUNA-N)
Oil Temperature Range	-30° C to 110° C
Fluids	Mineral - based or synthetics with lubricating properties
Viscosities	7,4 to 420 cSt
Minimum pull-in voltage	85% of nominal
Filtration	20/18/15 ISO 4406 (maximum filtration admitted)
Orientation	No restrictions
Installation torque	10 -15 Nm (Hex. 24)
Technical specifications for characterization	See page X
Oil testing condition	ISO VG 46 cSt
Seal kit code	SK.034 and SK.027 (coil)
Coil	18W (for more details see page X)
Weight	0,110 kg

Performans Detayları / Performance Details

Note: The performance chart illustrates flow handling capacity 1 to 3 (de-energized) and 1 to 2 (energized). p/Q curves are recorded at T_{Oil} = 40°C and 46 cSt.

Note: All Solenoid cartridge valves listed in the present catalogue are designed to work with D.C. power supply. To work with A.C. power supply, a RAC coil and connector with rectifier must be used. For any additional information, please contact your Sales contact representative.


Sipariş Kodu / Ordering Code


Note: All Solenoid cartridge valves listed in the present catalogue are designed to work with D.C. power supply. To work with A.C. power supply, a RAC coil and connector with rectifier must be used. For any additional information, please contact your Sales contact representative.