

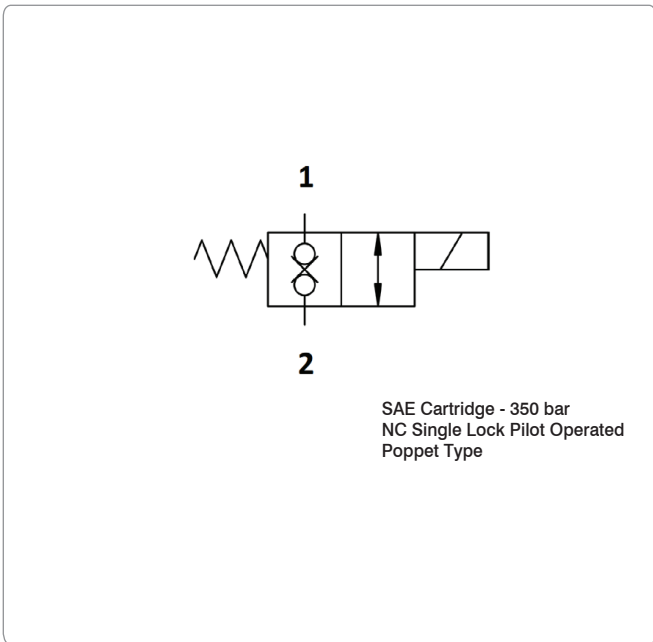
WINMAN WVD0.S08 Serisi Solenoid Valfler / WVD0.S08 Series Solenoid Valves



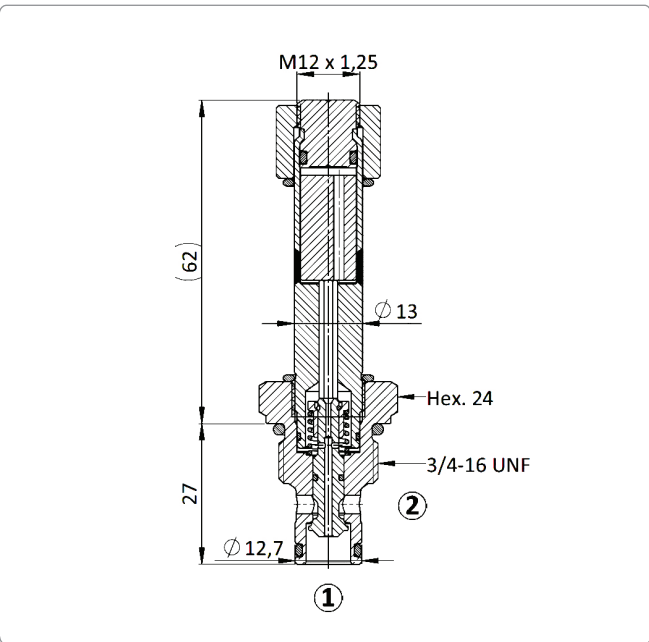
Açıklama / Description

Solenoid operated, 2-way 2-positions, normally closed, direct acting poppet type, bi-directional blocking, screw-in cartridge valve. Special design for low leakage in load holding applications. When the coil is de-energized, the WVD0.S08 blocks flow in both directions. Once the coil is energized, the valve's poppet opens and allows free flow from 1 to 2 and from 2 to 1. The rigid design using a 1-piece body contributes to minimize the effect of eccentricities in cavity and provides great reliability. Low pressure drop thanks to optimized flow path.

Sembol / Symbol



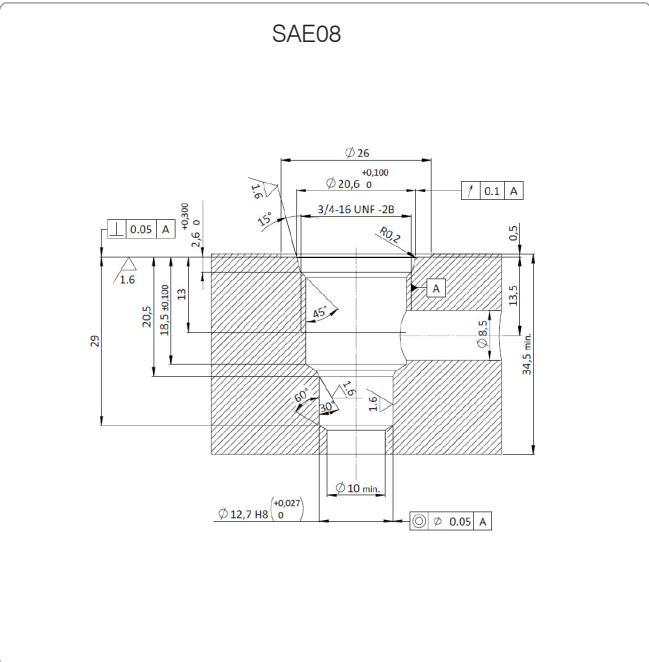
Enine Kesit / Cross Section



Teknik Özellikler / Technical Features

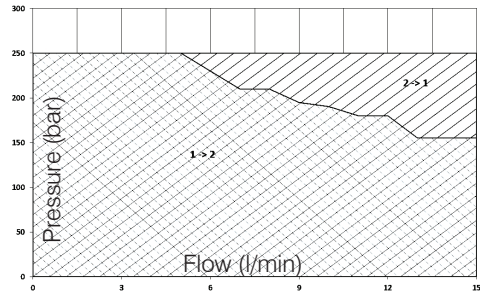
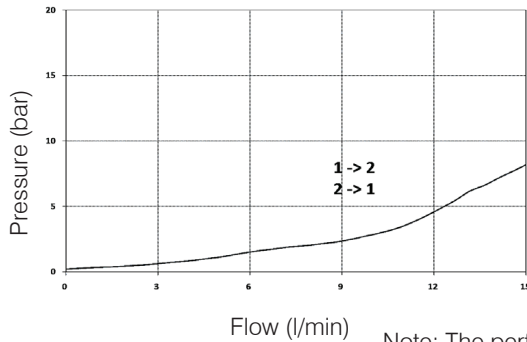
All external surfaces are zinc plated and corrosion-proof.
All valve parts are made of high strength steel. Poppet is hardened and ground to ensure minimal wear and extended service life.
Coil seals protect the solenoid system.
Manual override options. Industry SAE common cavity.

Boşluk Detayları / Cavity Details

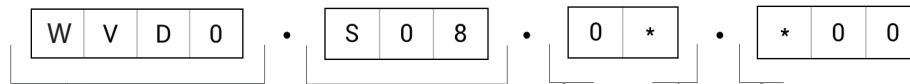


WINMAN WVD0.S08 Serisi Solenoid Valfler / WVD0.S08 Series Solenoid Valves
Teknik Veri / Technical Data

Maximum operating pressure	250 bar
Maximum flow	15 l/min
Maximum internal leakage	0,25 cm ³ /min @ 250 bar
External component treatment	Zn/Fe - standard (96h) Zn/Ni (720h)
Switch ON Time	20 ms
Switch OFF Time	40 ms
O-ring Temperature Range	-30° C to 110° C (standard sealing NBR - BUNA-N)
Oil Temperature Range	-30° C to 110° C
Fluids	Mineral - based or synthetics with lubricating properties
Viscosities	7,4 to 420 cSt
Minimum pull-in voltage	85% of nominal
Filtration	20/18/15 ISO 4406 (maximum filtration admitted)
Orientation	No restrictions
Installation torque	40 -45 Nm (Hex. 24)
Technical specifications for characterization	See page X
Oil testing condition	ISO VG 46 cSt
Seal kit code	SK.003 and SK.027 (coil)
Coil	18W (for more details see page X)
Weight	0,120 kg

Performans Detayları / Performance Details


Note: The performance chart illustrates flow handling capacity in both directions (1 to 2 and 2 to 1). p/Q curves are recorded at

Sipariş Kodu / Ordering Code


Valve basic code

Cavity

S08 = 3/4 - 16 UNF with \varnothing 12,7 nose size.
Other available options:
S09: 3/4 - 16 UNF with \varnothing 15,86 nose size.
M18: M18 x 1,5 with \varnothing 12,9 nose size
M20: M20 x 1,5 with \varnothing 15 nose size

Marking

0 = standard factory marking. Customized marking can be done upon request

Manual override

Model code	Type of override
0	No override
2	Push & Twist
3	Push pin
4	Push knob
8	Screw

Filtration

Model code	Type of filter
N	No filter
F	Standard filter (mesh size 280 μ m)

NOTE = Customized filters can be done upon request

Note: All Solenoid cartridge valves listed in the present catalogue are designed to work with D.C. power supply. To work with A.C. power supply, a RAC coil and connector with rectifier must be used. For any additional information, please contact your Sales contact representative.