

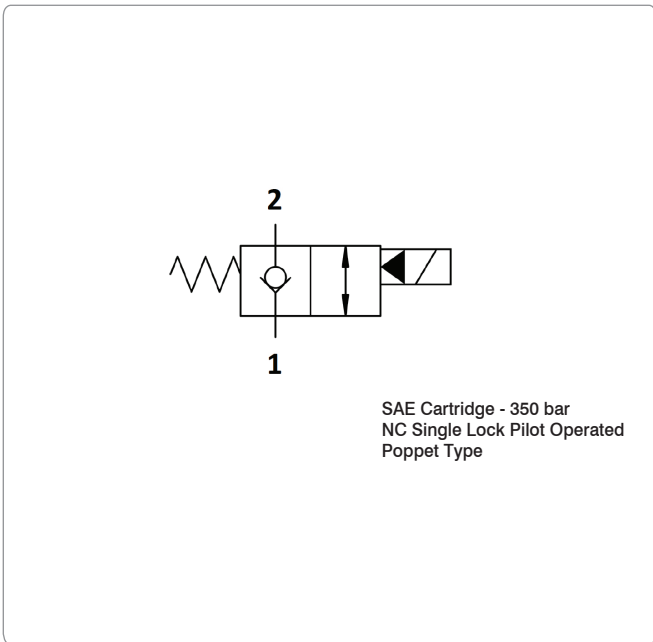
WINMAN WVT0.S10 Serisi Solenoid Valfler / WVT0.S10 Series Solenoid Valves



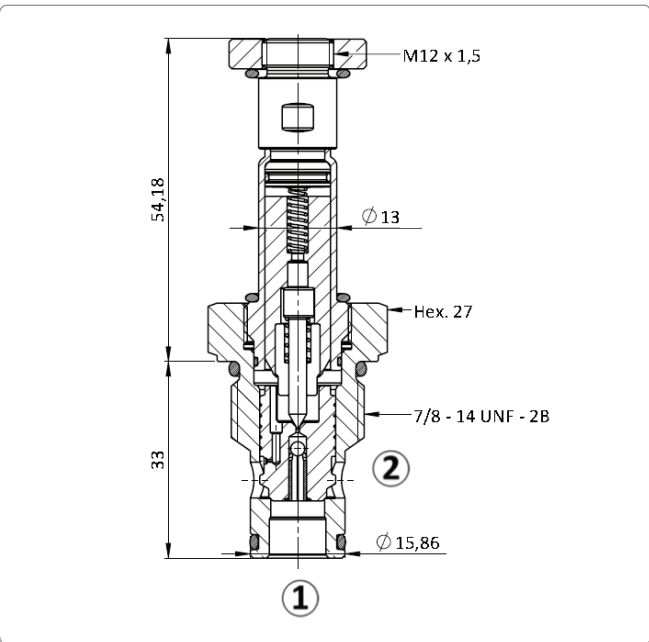
Açıklama / Description

Solenoid operated, 2-way 2-positions, normally closed, piloted poppet type, screw-in cartridge valve. Typically used as a blocking or load holding device for high pressure circuits. When the coil is de-energized, the WVT0.S10 acts as check valve allowing free flow from 1 to 2, while blocking from 2 to 1. When the coil is energized the poppet lifts and opens both the 2 to 1 and the 1 to 2 flow paths. The rigid design using a 1-piece body contributes to minimize the effect of eccentricities in cavity and provides great reliability. Low pressure drop thanks to optimized flow path.

Sembol / Symbol



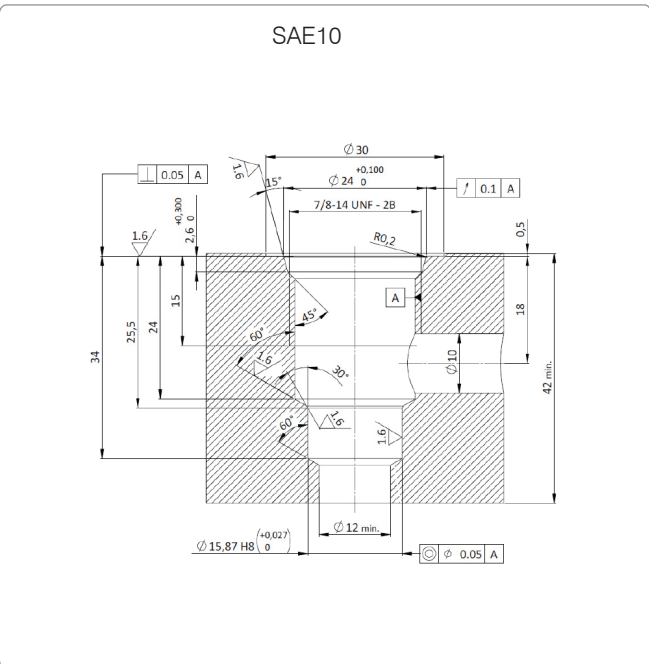
Enine Kesit / Cross Section



Teknik Özellikler / Technical Features

All external surfaces are zinc plated and corrosion-proof. All valve parts are made of high strength steel. Poppet is hardened and ground to ensure minimal wear and extended service life. Coil seals protect the solenoid system. Manual override options. Industry SAE common cavity. Manual override options. Industry SAE common cavity.

Boşluk Detayları / Cavity Details

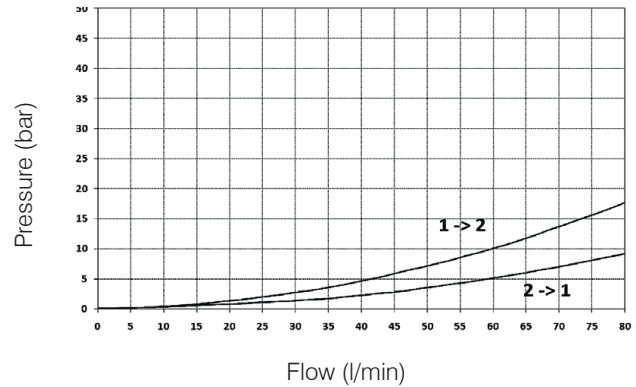
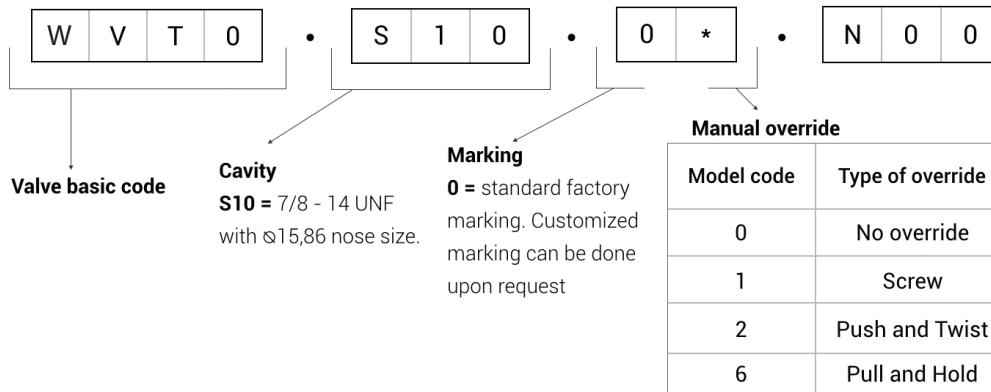


WINMAN WVT0.S10 Serisi Solenoid Valfler / WVT0.S10 Series Solenoid Valves
Teknik Veri / Technical Data

Maximum operating pressure	350 bar
Maximum flow	80 l/min
Maximum internal leakage	0,25 cm ³ /min @ 350 bar
External component treatment	Zn/Fe - standard (96h) Zn/Ni (720h)
Switch ON Time	30 ms
Switch OFF Time	50 ms
O-ring Temperature Range	-30° C to 110° C (standard sealing NBR - BUNA-N)
Oil Temperature Range	-30° C to 110° C
Fluids	Mineral - based or synthetics with lubricating properties
Viscosities	7,4 to 420 cSt
Minimum pull-in voltage	85% of nominal
Filtration	20/18/15 ISO 4406 (maximum filtration admitted)
Orientation	No restrictions
Installation torque	65 -75 Nm (Hex. 24)
Technical specifications for characterization	See page X
Oil testing condition	ISO VG 46 cSt
Seal kit code	SK.032 and SK.027 (coil)
Coil	18W (for more details see page X)
Weight	0,139 kg

Performans Detayları / Performance Details

Note: The performance chart illustrates flow handling capacity in both directions (1 to 2 de-energized, 2 to 1 energized). p/Q curve is recorded at TOil = 40°C and 46 cSt


Sipariş Kodu / Ordering Code


Note: All Solenoid cartridge valves listed in the present catalogue are designed to work with D.C. power supply. To work with A.C. power supply, a RAC coil and connector with rectifier must be used. For any additional information, please contact your Sales contact representative.