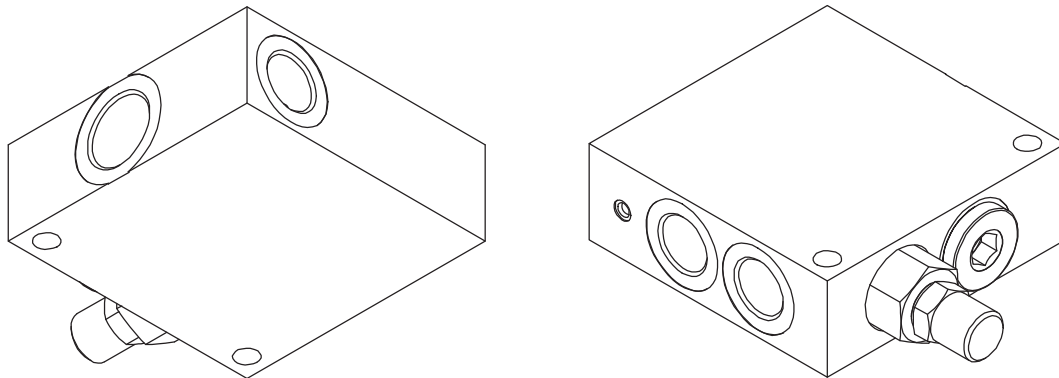


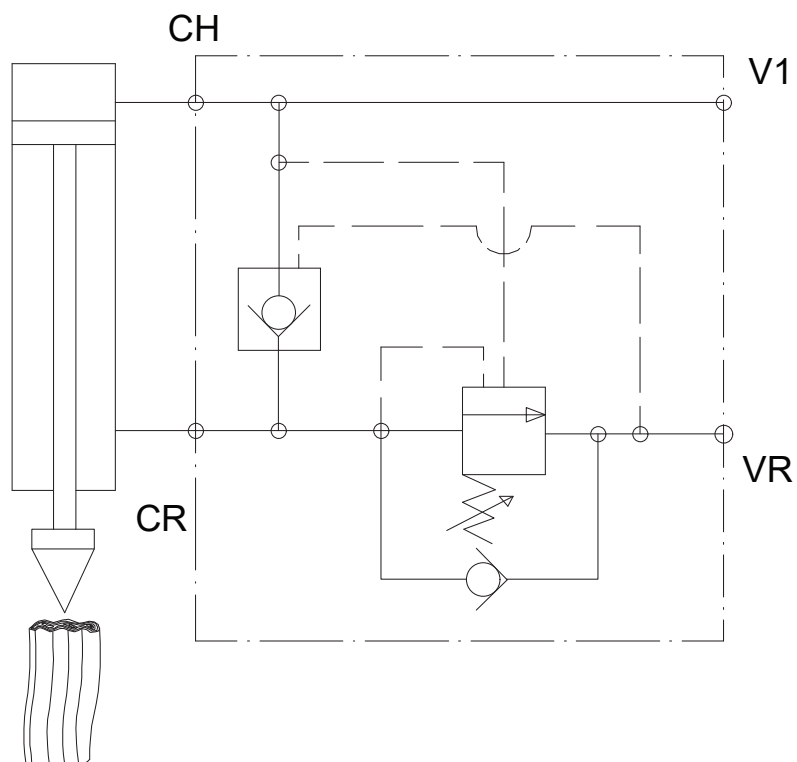
WINMAN SINGLE COUNTER VALVE WITH REGENERATIVE FUNCTION

6.174.J / VR-60-SE-12 Series



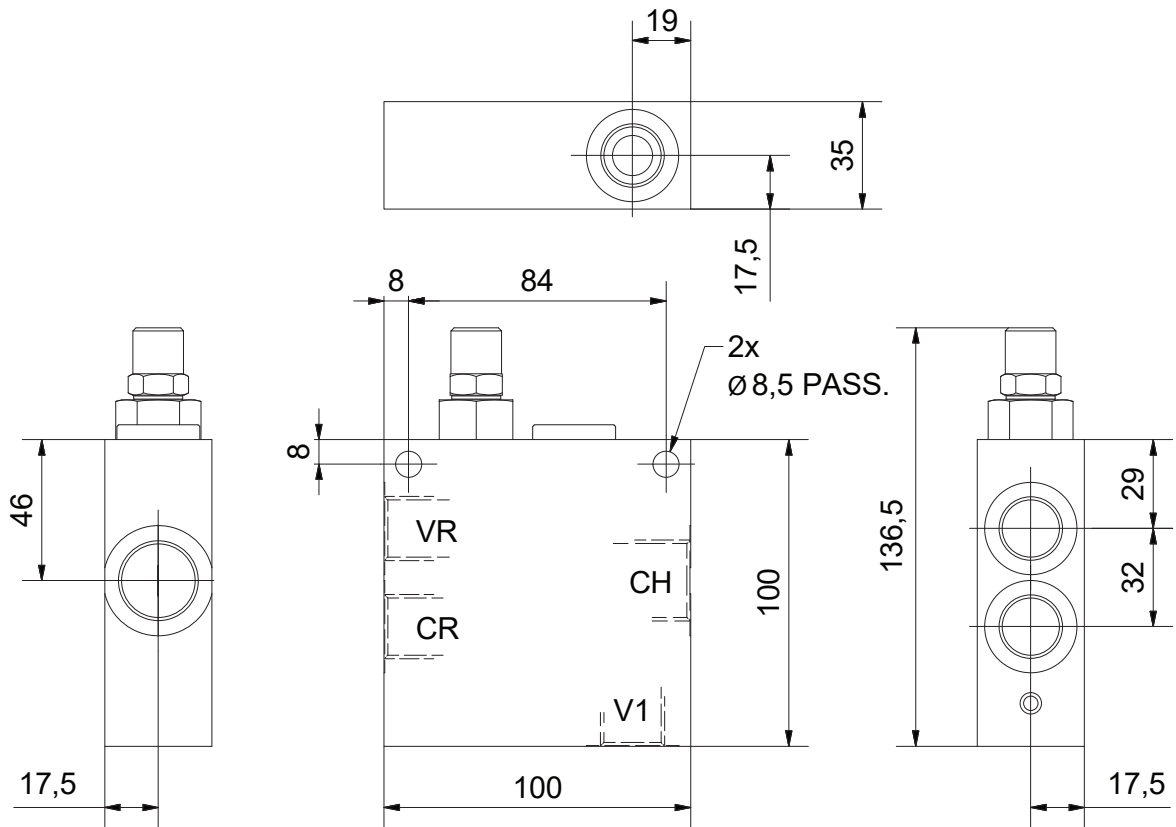
Performance

Nominal flow-rate	60 l/min
Max flow-rate	80 l/min
Max working pressure	250 bar
Setting range	30-350 bar
Weight	4.25:1
Aluminium body	
Weight	1,2 kg



WINMAN SINGLE COUNTER VALVE WITH REGENERATIVE FUNCTION

6.174.J / VR-60-SE-12 Series



Port Size GAS (bspp)	
VR-CR-V1	CH
1/2"	3/4"

How to Order

6.174.J