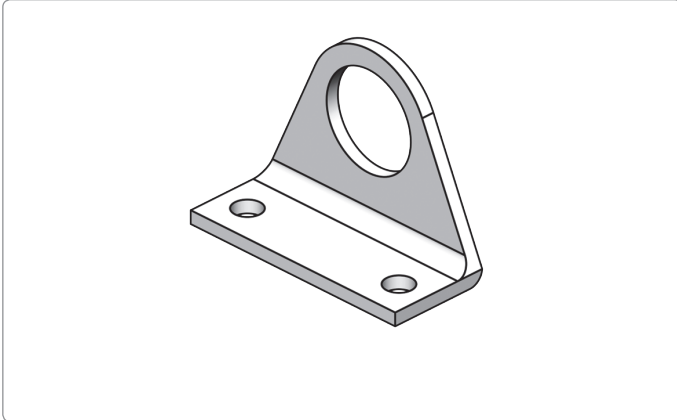
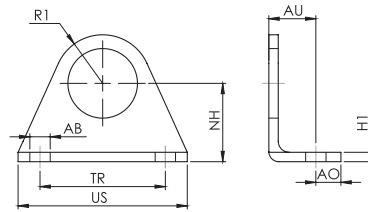


ISO 6432 Zubehör / ISO 6432 Accessories

WAB - Gabel Festigung/Foot Mounting

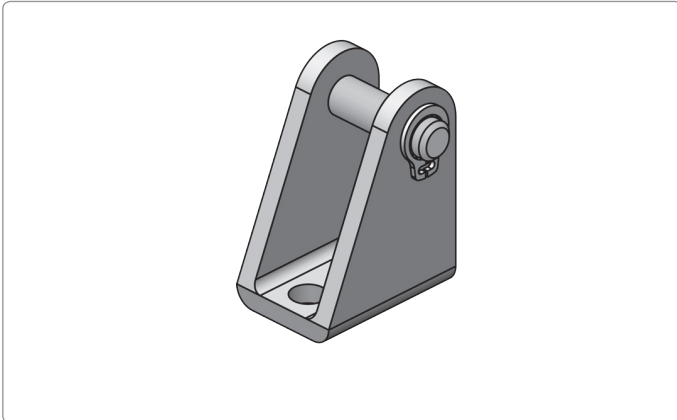


Technische Drawing/Technical Drawing

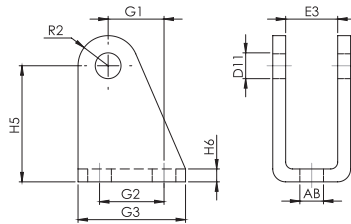


Ø mm	AB	AO	AU	H1	NH	R1	TR	US
12	5.5	6	14	4	20	13	32	42
16	5.5	6	14	4	20	13	32	42
20	6.6	8	17	5	25	20	40	54
25	6.6	8	17	5	25	20	40	54

WEB - Schwenkflansch und Gabel Festigung/Swivel Mounting

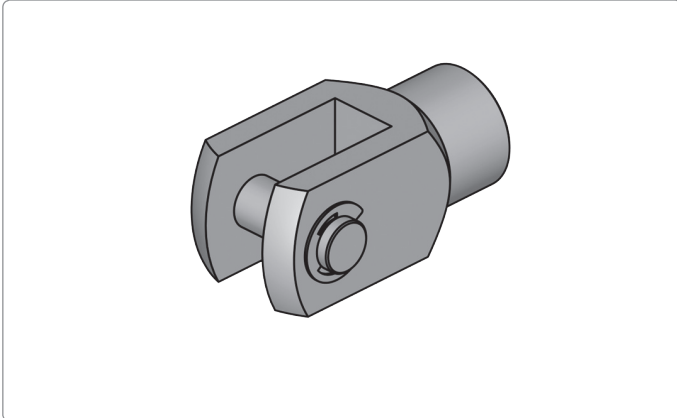


Technische Drawing/Technical Drawing

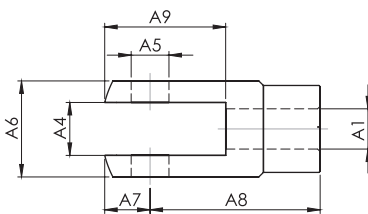


Ø mm	AB	D11	E3	G1	G2	G3	H5	H6	R2
12	5.5	6	12.1	13	15	25	27	3	7
16	5.5	6	12.1	13	15	25	27	3	7
20	6.6	8	16.1	16	20	32	30	4	10
25	6.6	8	16.1	16	20	32	30	4	10

WCB - Rod Gabelkopf/Rod Clevis

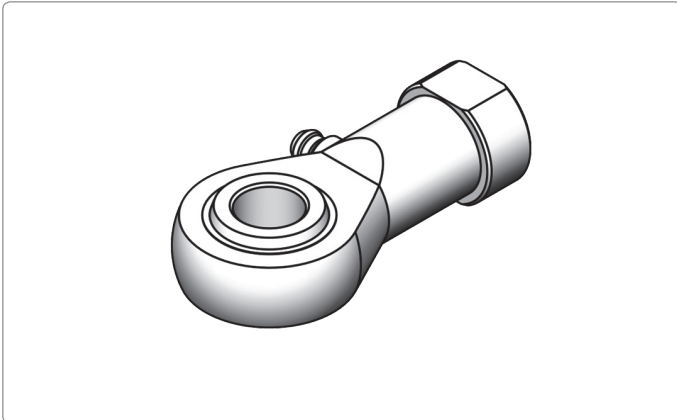


Technische Drawing/Technical Drawing

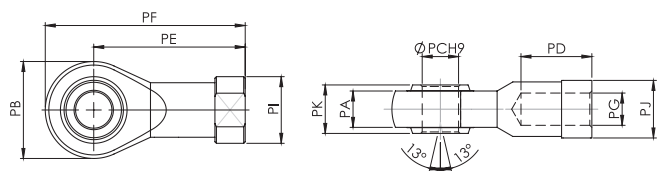


Ø mm	D1	F2	F3	F4	F5	F6
12	M4	4	8	5	16	13
16	M6	6	12	7	24	19
20	M8	8	16	10	32	26
25	M10X1.5	10	20	12	40	32

WMG - Kugellager Spurstangenkopf/Rod-Eye Joint



Technische Drawing/Technical Drawing



Ø mm	PA	PB	PC	PD	PE	PF	PG	PH	PI	PJ	PK
12	6.8	20	6	12	30	40	M6X1.0	13	13	11	9
16	6.8	20	6	12	30	40	M6X1.0	13	13	11	9
20	9	24	8	16	36	48	M8X1.25	13	16	14	12
25	11	26	10	20	43	56	M10X1.25	13	19	17	14
32	11	26	10	20	43	56	M10X1.25	13	19	17	14
40	12	32	12	22	50	66	M12X1.25	13	22	19	16