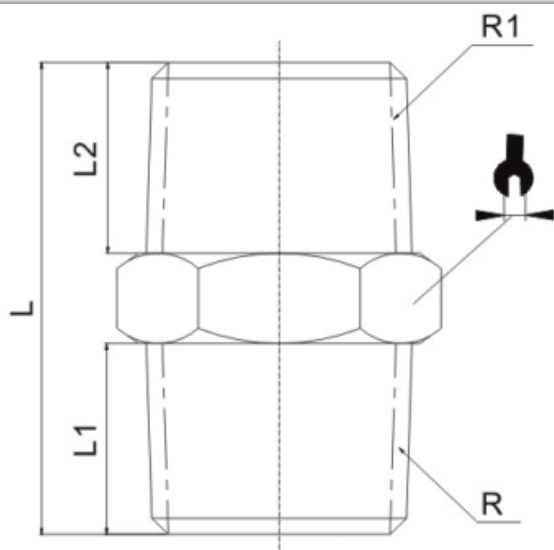


Übergangfittings/Transition Fittings

IBB Serie/Series



Dimension/Dimension



MODEL	R	R1	L	L1	L2	✚
IBB-01	R1/8	R1/8	19.5	7.5	7.5	10
IBB-02	R1/4	R1/4	24	9.5	9.5	14
IBB-03	R3/8	R3/8	26.5	10.5	10.5	17
IBB-04	R1/2	R1/2	33	13.5	13.5	21
IBB-0102	R1/8	R1/4	22	7.5	9.5	14
IBB-0103	R1/8	R3/8	23.5	7.5	10.5	17
IBB-0104	R1/8	R1/2	26	7.5	13.5	21
IBB-0203	R1/4	R3/8	25.5	9.5	10.5	17
IBB-0204	R1/4	R1/2	28	9.5	13.5	21
IBB-0304	R3/8	R1/2	29	10.5	13.5	21
IBB-M5	M5	M5	13	3.5	3.5	8
IBB-G01	G1/8	G1/8	17	5.5	5.5	13
IBB-G02	G1/4	G1/4	19.5	6.5	6.5	16
IBB-G03	G3/8	G3/8	22	7.5	7.5	20
IBB-G04	G1/2	G1/2	26	9	9	24
IBB-G01G02	G1/8	R1/4	18.5	5.5	6.5	16
IBB-G01G03	G1/8	G3/8	20	5.5	7.5	20
IBB-G02G03	G1/4	G3/8	21	6.5	7.5	20
IBB-G02G04	G1/4	G1/2	23.5	6.5	9	24
IBB-G03G04	G3/8	G1/2	24.5	7.5	9	24