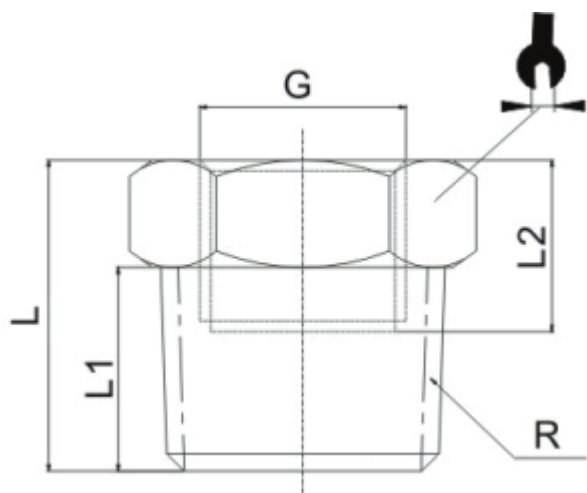



Übergangfittings/Transition Fittings

IBD Serie/Series



Dimension/Dimension



MODEL	G	R	L	L1	L2	
IBD-G0102	G1/8	R1/4	14.5	9.5	8.5	14
IBD-G0103	G1/8	R3/8	15.5	10.5	8.5	17
IBD-G0104	G1/8	R1/2	19	13.5	8.5	21
IBD-G0203	G1/4	R3/8	15.5	10.5	10	17
IBD-G0204	G1/4	R1/2	19	13.5	11	21
IBD-G0304	G3/8	R1/2	19	13.5	12	21