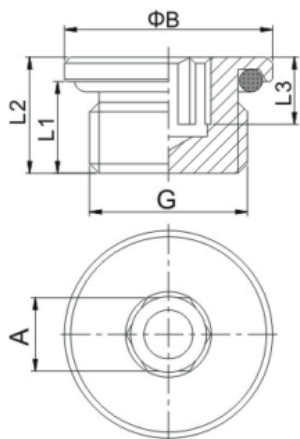


Übergangfittings/Transition Fittings

IBP-G Serie/Series



Dimension/Dimension



MODEL	G	L1	L2	L3	A	ΦB
IBP-M5	M5	3.5	5.5	2.5	2	7.3
IBP-G01	G1/8	5.5	7.5	4	4	13
IBP-G02	G1/4	6.5	8.5	4.5	6	16
IBP-G03	G3/8	7.5	10	5.5	8	20
IBP-G04	G1/2	9	11.5	6.5	10	24