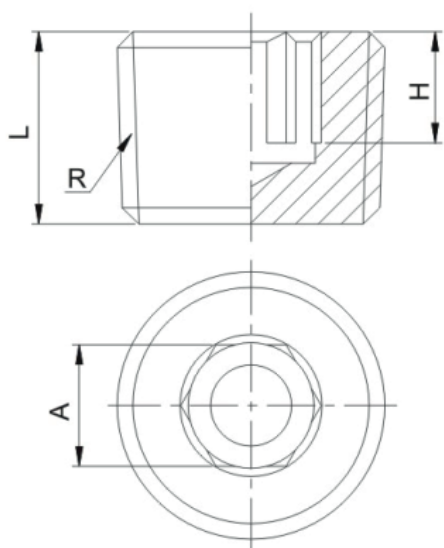


Übergangfittings/Transition Fittings

IBP Serie/Series



Dimension/Dimension



MODEL	R	L	H	A
IBP-01	R1/8	8	4.5	5
IBP-02	R1/4	10	5.5	6
IBP-03	R3/8	10.5	6	8
IBP-04	R1/2	13.5	8	10