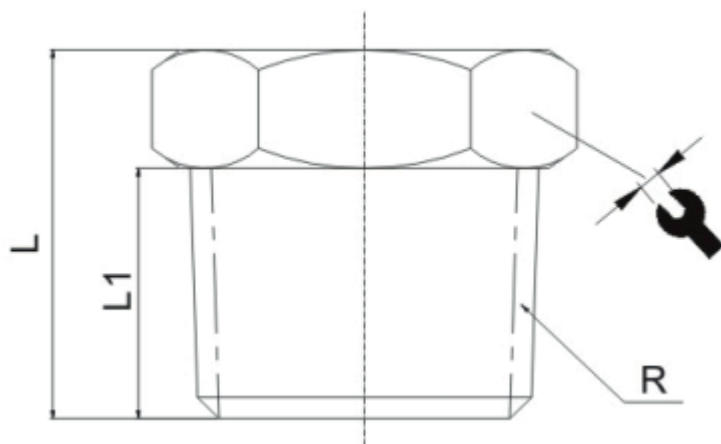


Übergangfittings/Transition Fittings

IBZ Serie/Series



Dimension/Dimension



MODEL	R	L	L1	🔑
IBZ-01	R1/8	11	7.5	10
IBZ-02	R1/4	14	9.5	14
IBZ-03	R3/8	15.5	10.5	17
IBZ-04	R1/2	19	13.5	21
IBZ-M5	M5	6.5	3.5	8
IBZ-G01	G1/8	10.5	5.5	13
IBZ-G02	G1/4	12	6.5	16
IBZ-G03	G3/8	13.5	7.5	20
IBZ-G04	G1/2	15.5	9	24