

Quick Connecting Tube Fittings

IPK SERIES



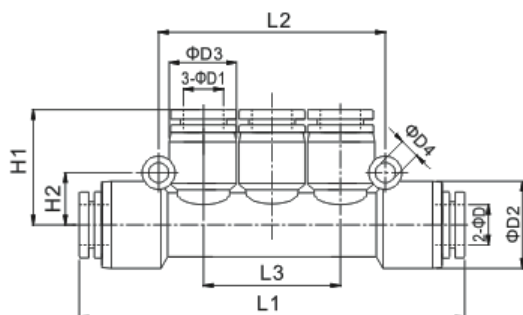
Product features

One-Touch tube fittings are used in pneumatics piping.
 The tube fittings come in wide variety of models to meet all your needs in pneumatics piping.
 Even after installation, in direction of the tube can be changed freely.
 Nickel-plated metal body ensures Anti-Corrosion and Anti-Contamination.
 All R and NPT threads are Pre-Costed sealant.
 All cylindrical threads are standard with O-Ring seals.

Speciality

Fluid	Air, Vacuum
Operating Pressure	0-1.0MPa (150 psi)
Negative Pressure	-100KPa(-29.5 in-Hg)
Max Pressure	1.5MPa
Operating Temperature	0-60°C(32-140°F)
Applicable Tube	Polyurethane and Nylon

Dimension



MODEL	φD	φD1	φD2	φD3	φD4	L1	L2	L3	H1	H2
IPK04	4	4	14.5	13	3.2	57	36	22	19	8
IPK06	6	6	14.5	13	3.2	58	36	22	19.5	8
IPK08	8	8	19	14.5	4.2	84	61	29	24.5	11.5
IPK10	10	10	19	14.5	4.2	87	61	29	26	11.5
IPK06-04	6	4	14.5	13	3.2	58	36	22	19	8
IPK08-04	8	4	18.4	14.5	3.2	62	42	26	20.5	9
IPK08-06	8	6	18.4	14.5	3.2	81	48	29	24.5	9
IPK10-06	10	6	19	14.5	4.2	87	61	29	24.5	11.5
IPK10-08	10	8	19	14.5	4.2	87	61	29	24.5	11.5

MODEL	φD	φD1	φD2	φD3	φD4	L1	L2	L3	H1	H2
IPK3/16-5/32	3/16	5/32	14.5	13	3.2	58	36	22	19	8
IPK1/4-3/16	1/4	3/16	14.5	13	3.2	58	36	22	19	8
IPK5/16-1/4	5/16	1/4	14.5	13	3.2	58	42	26	21	9
IPK3/8-5/16	3/8	5/16	19	14.5	4.2	87	60.8	29	24.5	11.5