

Quick Connecting Tube Fittings

IPKJ SERIES



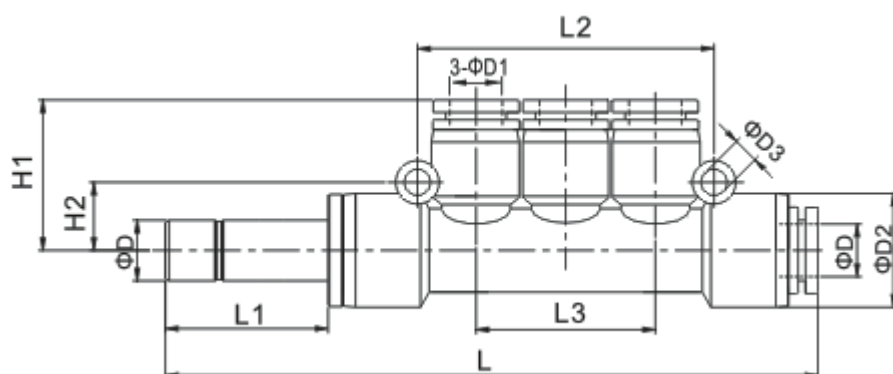
Product features

One-Touch tube fittings are used in pneumatics piping.
 The tube fittings come in wide variety of models to meet all your needs in pneumatics piping.
 Even after installation, in direction of the tube can be changed freely.
 Nickel-plated metal body ensures Anti-Corrosion and Anti-Contamination.
 All R and NPT threads are Pre-Coated sealant.
 All cylindrical threads are standard with O-Ring seals.

Speciality

Fluid	Air, Vacuum
Operating Pressure	0-1.0MPa (150 psi)
Negative Pressure	-100KPa(-29.5 in-Hg)
Max Pressure	1.5MPa
Operating Temperature	0-60°C(32-140°F)
Applicable Tube	Polyurethane and Nylon

Dimension



MODEL	ϕD	$\phi D1$	L	L1	L2	L3	H1	H2	$\phi D2$	$\phi D2$
IPKJ04	4	4	75	19	42	22	19	9	13.5	3.2
IPKJ06	6	6	77	19	42	26	20.5	9	15	3.2
IPKJ08	8	8	110.5	20.5	48	29	24	11	19	4.2
IPKJ10	10	10	114.5	24.5	60.8	36.8	28.5	11	18.4	3.2
IPKJ06-04	6	4	77	19	42	22	19	9	13.5	3.2
IPKJ 08-04	8	4	99	20.5	48	26	20.5	11	19	4.2
IPKJ 08-06	8	6	99	20.5	48	26	20.5	11	19	4.2
IPKJ 10-06	10	8	110.5	24.5	48	26	20.5	11	19	4.2
IPKJ 10-8	10	8	110.5	24.5	48	26	20.5	11	19	4.2