

316L Stainless Steel Fittings

SSC-G SERIES



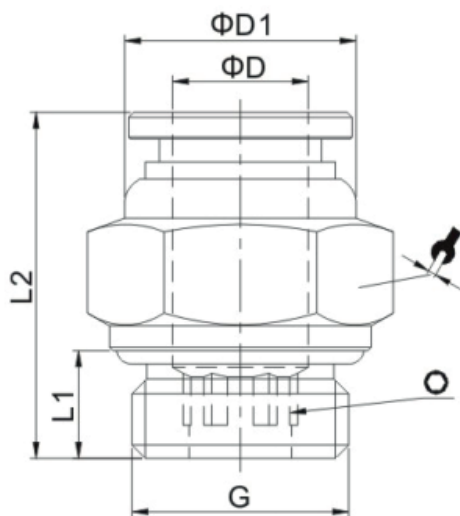
Product features

- The materials ensure Anti-Corrosion highly, all of them are made from SUS316L except the seal ring
- FKM is used as the seal ring, which can ensure Anti-Corrosion and acid resistant, also can be used in high temperature
- The accessories are oil-free and reach the Food Hygiene Law of People's Republic of China, which are applied widely in the range of industry such as food service industry, chemical industry and medical industry

Speciality

Fluid	Air, Water, Steam
Operating Pressure	0~1.5 MPa
Max Pressure	-1.8 MPa
Operating Temperature	-20°C~140°C

Dimension



MODEL	φD	G	L1	L2	φD1	○	⚙
SSC04-M5	4	M5	4	19.3	10		10
SSC04-M6	4	M6	4	19.3	10		10
SSC04-G01	4	G1/8	5.5	17.3	10	3	13
SSC04-G02	4	G1/4	6.5	17.3	10	3	16
SSC06-M5	6	M5	4	20.6	12		12
SSC06-G01	6	G1/8	5.5	18.8	12	4	13
SSC06-G02	6	G1/4	6.5	18.8	12	4	16
SSC08-G01	8	G1/8	5.5	23.2	14	5	14
SSC08-G02	8	G1/4	6.5	20.7	14	6	16
SSC10-G02	10	G1/4	6.5	26.4	17	8	17
SSC10-G03	10	G3/8	7.5	22.9	17	8	20
SSC10-G04	10	G1/2	9	25.5	17	8	24
SSC12-G02	12	G1/4	6.5	29.4	20	8	20
SSC12-G03	12	G3/8	7.5	25.4	20	10	20
SSC12-G04	12	G1/2	9	25.4	20	10	24