

## 316L Stainless Steel Fittings

### SSM SERIES



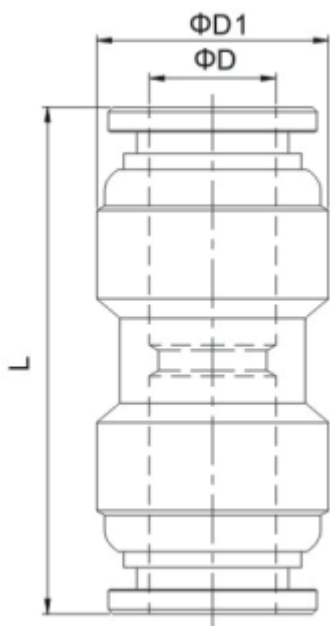
#### Product features

- The materials ensure Anti-Corrosion highly, all of them are made from SUS316L except the seal ring
- FKM is used as the seal ring, which can ensure Anti-Corrosion and acid resistant, also can be used in high temperature
- The accessories are oil-free and reach the Food Hygiene Law of People's Republic of China, which are applied widely in the range of industry such as food service industry, chemical industry and medical industry

#### Speciality

Fluid	Air, Water, Steam
Operating Pressure	0~1.5 MPa
Max Pressure	-1.8 MPa
Operating Temperature	-20°C~140°C

#### Dimension



MODEL	φD	φD1	L	L1 max	M	
SSM 04	4	10	27	8	M12X1	14
SSM 06	6	12	29.5	8	M14X1	17
SSM 08	8	14	32.5	8.5	M16X1	19
SSM 10	10	17	36.8	9.5	M20X1	24
SSM 12	12	20	39.8	11.5	M22X1	26