

**316L Stainless Steel Fittings**

**SSU SERIES**



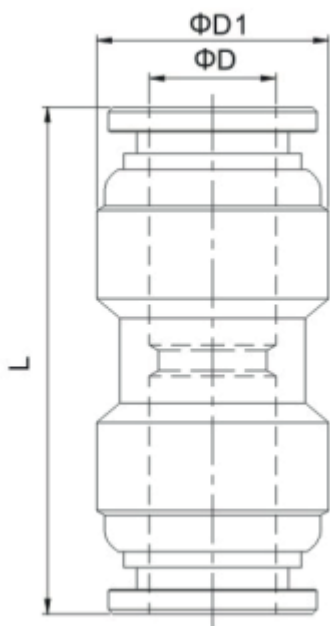
**Product features**

- The materials ensure Anti-Corrosion highly, all of them are made from SUS316L except the seal ring
- FKM is used as the seal ring, which can ensure Anti-Corrosion and acid resistant, also can be used in high temperature
- The accessories are oil-free and reach the Food Hygiene Law of People's Republic of China, which are applied widely in the range of industry such as food severice inustry, chemical industry and medical industry

**Speciality**

|                       |                   |
|-----------------------|-------------------|
| Fluid                 | Air, Water, Steam |
| Operating Pressure    | 0~1.5 MPa         |
| Max Pressure          | -1.8 MPa          |
| Operating Temperature | -20°C~140°C       |

**Dimension**



| MODEL  | φD | φD1 | L    |
|--------|----|-----|------|
| SSU 04 | 4  | 11  | 27   |
| SSU 06 | 6  | 13  | 29.5 |
| SSU 08 | 8  | 15  | 32.5 |
| SSU 10 | 10 | 18  | 36.8 |
| SSU 12 | 12 | 21  | 39.8 |