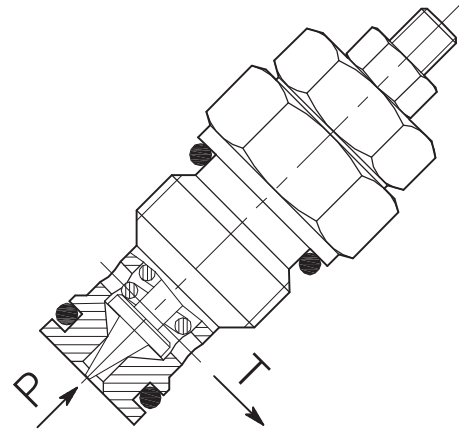
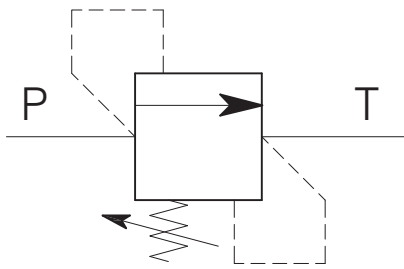


VMP-10-...

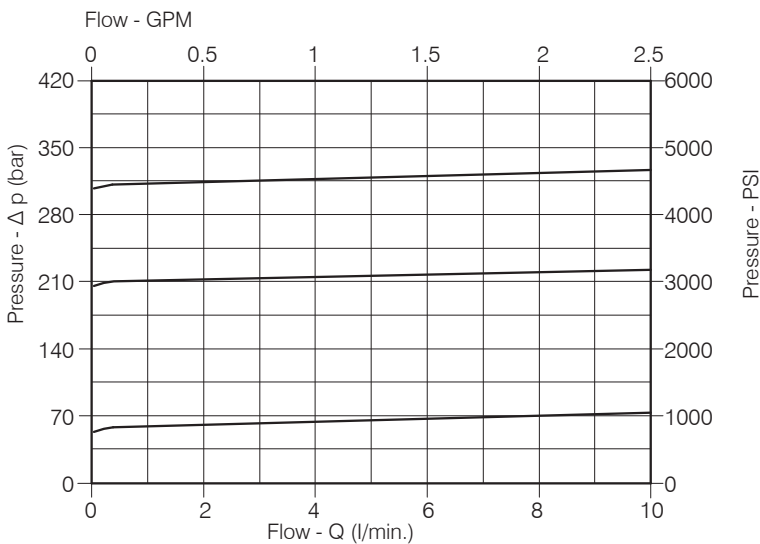
CARTRIDGE RELIEF, DIRECT ACTING POPPET TYPE VALVE



Performance

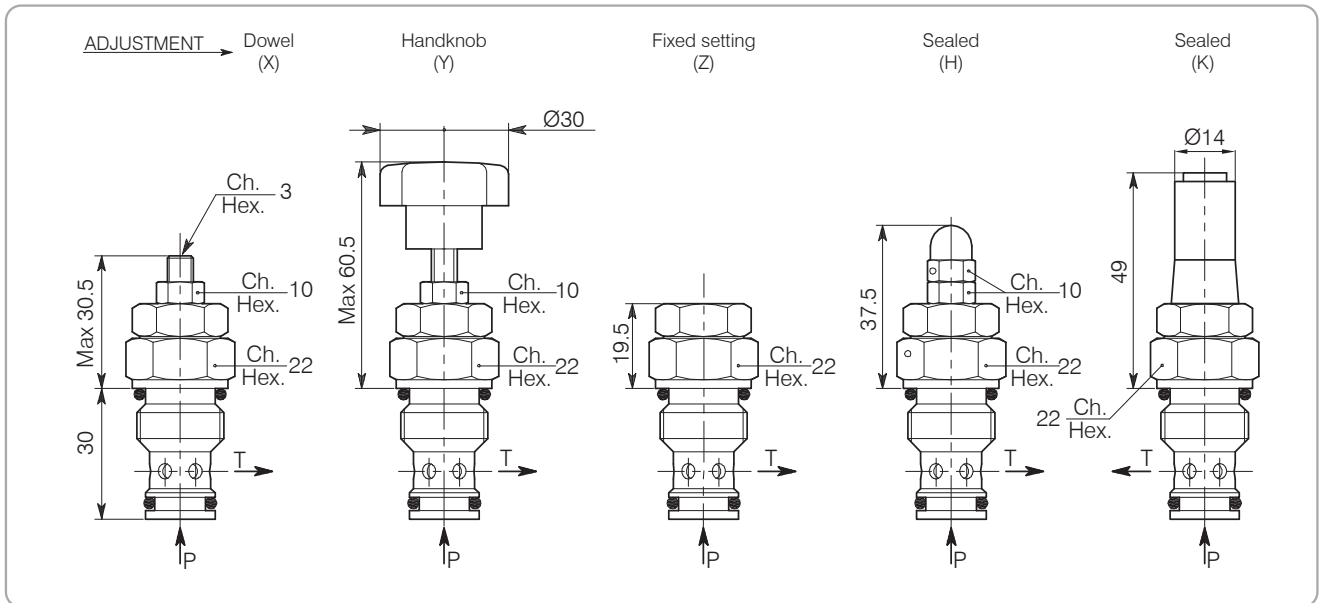
Rated size	DN 4
Min/Max flow-rate	10 l/min - 2.6 GPM
Max working pressure	350 bar - 5075 PSI
Max setting pressure	350 bar - 5075 PSI
Room temperature	-30°C + 50°C
Oil temperature	-30°C + 80°C
Recommended filtration	30 ÷ 50 micron
Tightening torque	46 ÷ 52 Nm
Weight	0.095 kg

Performance Details



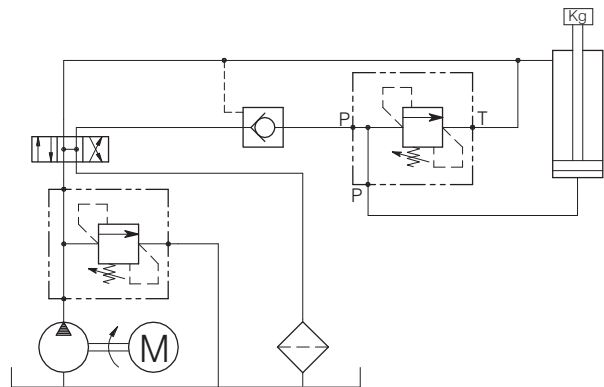
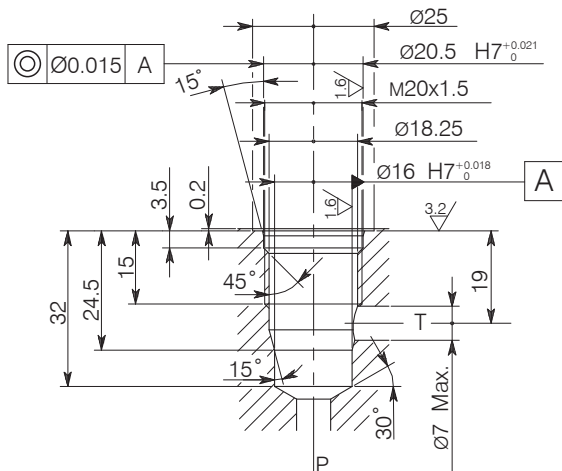
VMP-10-...

Hydraulic valves and integrated components



Cavity CER.013.N

Typical Circuit Example



The valve seat should be perfectly tooled

Ordering Code

2 • 9 9 • 0 • X • 0

Setting Range					
099		098		001	
Setting range 5 ÷ 100 bar (blue spring)		Setting range 10 ÷ 210 bar (green spring)		Setting range 20 ÷ 350 bar (yellow spring)	
Std. bar setting (Q=5 l/1')	Pressure rise - turn of screw	Std. bar setting (Q=5 l/1')	Pressure rise - turn of screw	Std. bar setting (Q=5 l/1')	Pressure rise - turn of screw
70 bar	(-)	140 bar	(-)	280 bar	(-)

Adjustment

X : Dowel
Y : Handknob
Z : Fixed setting
H : Sealed
K : Sealed