

PME POMPE SERIES

PME CARTRIDGE PUMPS



La pompa viene fornita con leva di azionamento L=270 mm
The pump is supplied with acting lever 10,5 in long

Ordering Code

01	Pompe a m(Cartridge hand pumps)	PME
02	Cilindrata(cm ³) Displacement(in ³)	05
		06
		07
03	Lev (Hand lever)	L

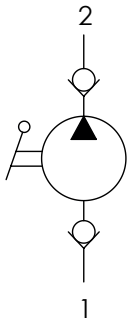
How To Order

01	02	03
PME		L

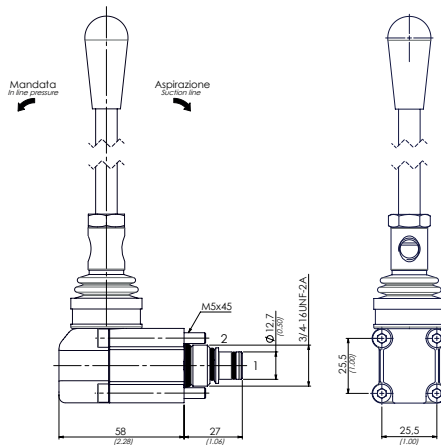
Technical Data

Mineral oil	ISO 6743/4
Oil viscosity	15-250 mm/s ²
Max contamination index with filter	ISO 4406:1999 Classe 19/17/14
Oil temperature	-20°C +80°C
Ambient temperature	-20°C +50°C
It is necessary a filter use to protect the valve (advised filtration 15 μm)	
Max leakage	0,015 cm ³ 0,015 in ³

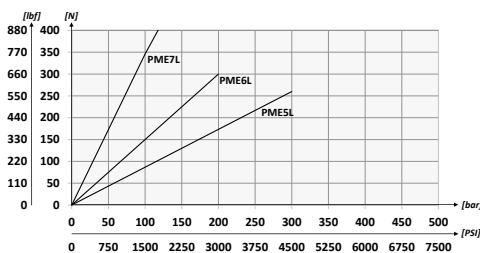
Hydraulic circuit



Dimensions



Performance



Technical Characteristics

Type	A	Max flow (USgpm)	Max pressure (PSI)	Approx weight (lb)	Tightening torque (lbf ft)	Cavity
PME5L	BSPP 1/8	1 (0.06)	300 (4350)	0,46(1.01)	25-30 (19-22)	SAE8/2
PME6L	BSPP 1/4	2 (0.12)	200 (2900)			
PME7L	BSPP 3/8	3 (0.18)	120 (1740)			