

F.R.L. Hava Kontrol Ünitesi / F.R.L. Air Control Unit

F.R.L. 50-C50 / F.R.L. 50-C50



F50



R50



L50



FR52



FR50



FRL50



C50



FRL52



FRL50K

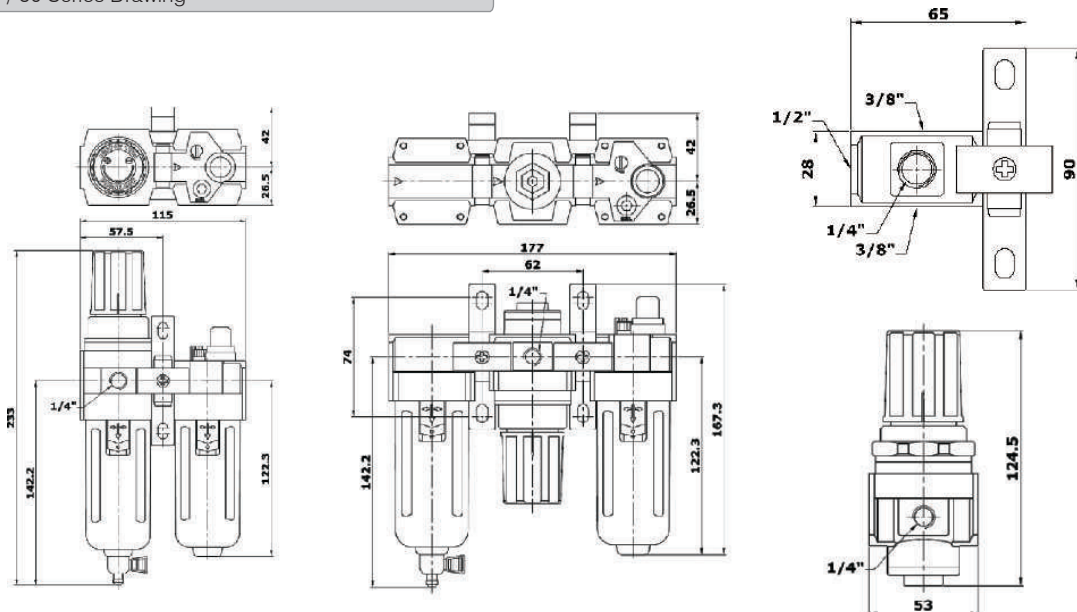


C50-AS1
C50-Manifold



D51

50 Serisi Çizim / 50 Series Drawing



F.R.L. Hava Kontrol Ünitesi / F.R.L. Air Control Unit

F.R.L. 50-C50 / F.R.L. 50-C50

Özellikler / Specification

Part No.		C502	C503	C504
Description		FRL502	FRL503	FRL504
Medium		Air		
Port Size (PT.NPT)		1/4"	3/8"	1/2"
Filter Element		5 μ		
Proof Input Pressure	Psi	215		
	Mpa	1.5		
Proof Output Pressure	Psi	145		
	Mpa	0.99		
Max Flow(L/min)		2200	3000	3100
Operation Temperature Range		5 ~ 60 °C		
Drain Capacity		55ml		
Oil Capacity		80ml		
Minimum Dripping Flow Rate (L/min(ANR))*		1/4":30 3/8":40 1/2":50		
Recommendable Lubricants		ISO VG-32		
More Options				
Air Filter		F502	F503	F504
Regulator		R502	R503	R504
Air Filter+Regulator		FR502	FR503	FR504
Lubricator		L502	L503	L504
Meet the international norms		JIS B 8371 / JIS B 8372 / JIS B 8378		

* The flow rate is 5 drops or greater/min under the following conditions: Inlet pressure of 0.5 MPa; Class 1 turbine oil (ISO VG32); Temperature at 20°C; Oil adjustment valve fully open.

* For a circuit that repeatedly turns ON and OFF on the outlet side, make the adjustment so that the average air consumption per minute becomes the minimum dripping flow rate or more.

* Lubrication cannot be properly performed if the operating flow rate is too low. Select an appropriately size lubricator by referring to the minimum dripping flow rate provided in the catalog.

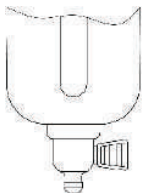
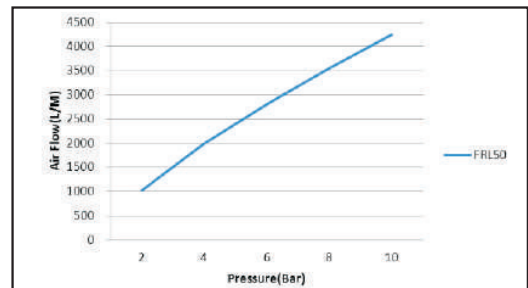
Özellikleri / Features

1. Steel guards offer better protection.
2. Safe Lockable buckles for firm installation.

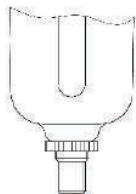
Sipariş Bilgisi/ Order Information

FRL 50 3-A
 AUTO DRAINAGE (OPTION)
 PORT SIZE
 2-1/4"
 3-3/8"
 4-1/2"
 TYPE SERIES
 F.R.L. COMBINATION

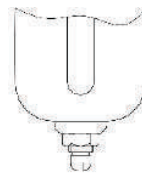
C 50 3-A
 AUTO DRAINAGE (OPTION)
 PORT SIZE
 2-1/4"
 3-3/8"
 4-1/2"
 TYPE SERIES
 F.R.L. COMBINATION



Semi-Auto Drain Valve



Auto Drain Valve



Manual Drain Valve