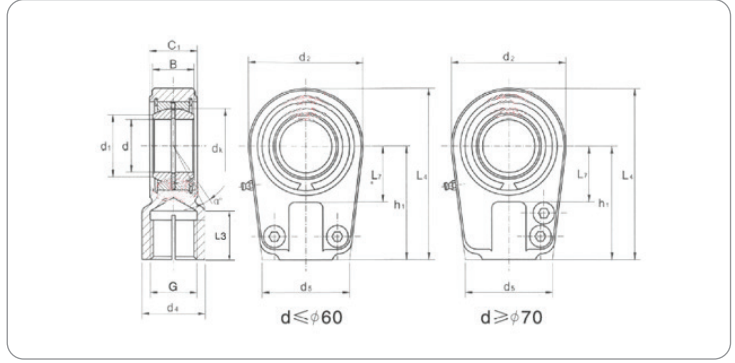


WINMAN GIHR Serisi Hidrolik Silindir Bağlantı Kulakları

Technical Drawings


Model No.	Dimensions																Load ratings kN		Weight ≈kg	Inventory
	d	B	d _k	C ₁	d ₂	G 6H	h ₁	L ₃ min	L ₄ max	d ₄	d ₅	d ₁	b	r ₅ min	a°	Load ratings kN/Dynamic	Load ratings kN/Static			
GIHR-K20 DO	20	16	29	19	56	M16x1.5	50	17	80	25	46	24.1	17	0.3	9	30	42	0.37	√	
GIHR-K25 DO	25	20	35.5	23	56	M16x1.5	50	17	80	25	46	29.3	21	0.6	7	48	52	0.43	√	
GIHR-K30 DO	30	22	40.7	28	64	M22x1.5	60	23	94	32	50	34.2	26	0.6	6	62	72	0.70	√	
GIHR-K35 DO	35	25	47	30	78	M28x1.5	70	29	112	40	66	39.7	28	0.6	6	79	104	1.1	√	
GIHR-K40 DO	40	28	53	35	94	M35x1.5	85	36	135	49	76	45	33	0.6	7	99	173	2.1	√	
GIHR-K50 DO	50	35	66	40	116	M45x1.5	105	46	168	61	90	55.9	37	0.6	7	156	265	3.3	√	
GIHR-K60 DO	60	44	80	50	130	M58x1.5	130	59	200	75	120	66.8	46	1	6	245	320	5.5	√	
GIHR-K70 DO	70	49	92	55	154	M65x1.5	150	66	232	86	130	77.9	51	1	6	313	440	8.6	√	
GIHR-K80 DO	80	55	105	60	176	M80x2	170	81	265	105	160	89.4	55	1	6	400	570	12.0	√	
GIHR-K90 DO	90	60	115	65	206	M100x2	210	101	323	124	180	98.1	60	1	5	490	980	21.5	√	
GIHR-K100 DO	100	70	130	70	230	M110x2	235	111	360	138	200	109.5	65	1	7	607	1120	28.0	√	
GIHR-K110 DO	110	70	140	80	265	M120x3	265	125	407.5	152	220	120	75	1	6	655	1700	40.5	√	
GIHR-K120 DO	120	85	160	90	340	M130x3	310	135	490	172	257	130	85	1	6	950	2900	76	√	
GIHR-K140 DO	140	90	180	100	350	M140x4	345	145	530	200	290	150	92	1	7	1080	5400	102	○	
GIHR-K160 DO	160	105	200	110	380	M150x4	400	165	600	220	300	170	102	1	8	1370	6800	170	○	