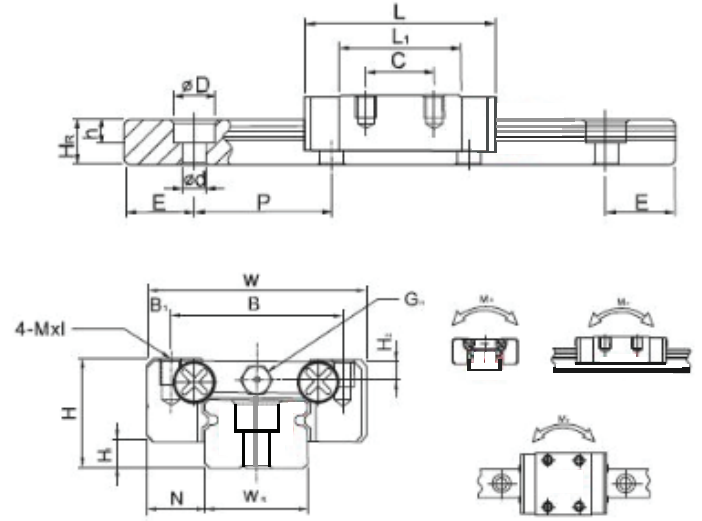
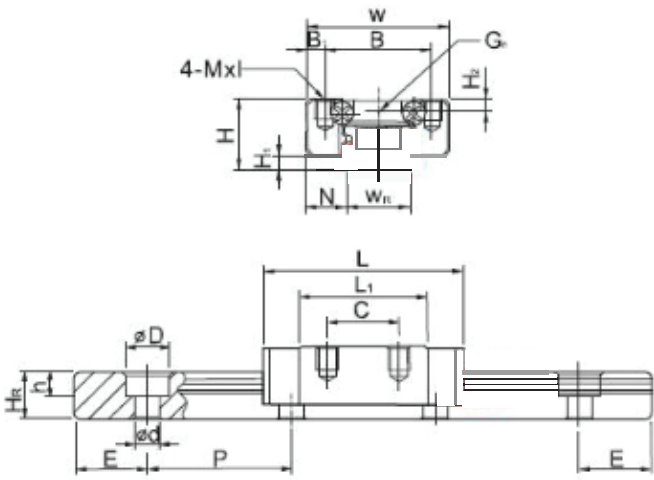


## WINMAN MGN SERİSİ MİNİ LİNEER KILAVUZLAMA SİSTEMLERİ



### Technical Drawings



MODEL NO.	Dimensions of Assembly (mm)			Dimensions of Block (mm)										Dimensions of Rail (mm)						
	H	H <sub>1</sub>	N	W	B	B <sub>1</sub>	C	L <sub>1</sub>	L	G	G <sub>n</sub>	M×1	H <sub>2</sub>	W <sub>R</sub>	H <sub>R</sub>	D	h	d	P	E
MGN 7C	8	1.5	5	17	12	2.5	8	13.5	22.5	-	φ0.8	M2x2.5	1.5	7	4.8	4.2	2.3	2.4	15	5
MGN 7H	8	1.5	5	17	12	2.5	13	21.8	30.8	-	φ0.8	M2x2.5	1.5	7	4.8	4.2	2.3	2.4	15	5
MGN 9C	10	2	5.5	20	15	2.5	10	18.9	28.9	-	φ0.8	M3x3	1.8	9	6.5	6	3.5	3.5	20	7.5
MGN 9H	10	2	5.5	20	15	2.5	16	25.9	39.9	-	φ0.8	M3x3	1.8	9	6.5	6	3.5	3.5	20	7.5
MGN 12C	13	3	7.5	27	20	3.5	15	21.7	34.7	-	φ0.8	M3x3.5	2.5	12	8	6	4.5	3.5	25	10
MGN 12H	13	3	7.5	27	20	3.5	20	32.4	45.4	-	φ0.8	M3x3.5	2.5	12	8	6	4.5	3.5	25	10
MGN 15C	16	4	8.5	32	25	3.5	20	26.7	42.1	4.5	GN3S	M3 x 4	3	15	10	6	4.5	3.5	40	15
MGN 15H	16	4	8.5	32	25	3.5	25	43.4	58.8	4.5	GN3S	M3 x 4	3	15	10	6	4.5	3.5	40	15

**WINMAN MGN SERİSİ MİNİ LİNEER KILAVUZLAMA SİSTEMLERİ**

MODEL NO.	Mounting Bolt for Rail (mm)	Basic Dynamic Load Rating C(kN)	Basic Static Load Rating C(kN)	Static Rated Moment			Weight	
				M <sub>0</sub> kgf-m	M <sub>x</sub> kgf-m	M <sub>y</sub> kgf-m	Block (g)	Rail (kg/m)
MGN 7C	M2 x 6	1,00	1,27	0.48	0.29	0.29	10	0.22
MGN 7H	M2 x 6	1,40	2,00	0.78	0.49	0.49	15	0.22
MGN 9C	M3 x 8	1,90	2,60	1.2	0.75	0.75	16	0.38
MGN 9H	M3 x 8	2,60	4,10	2	1.9	1.9	26	0.38
MGN 12C	M3 x 8	2,90	4,00	2.6	1.4	1.4	34	0.65
MGN 12H	M3 x 8	3,80	6,00	3.9	3.7	3.7	54	0.65
MGN 15C	M3 x 10	4,70	5,70	4.6	2.2	2.2	59	1.06
MGN 15H	M3 x 10	6,50	6,50	7.5	5.9	5.9	92	1.06