

**WINMAN Kartriç Hız Ayarlar / Flow Controls**

FRT4.S08 Vana Serisi / FRT4.S08 Valve Series

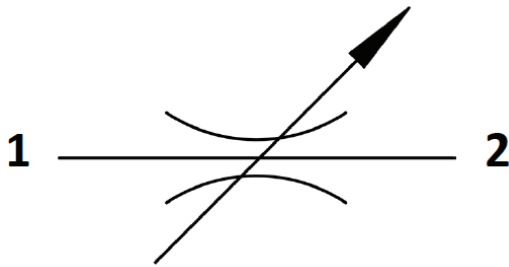


- SAE Cartridge - 350 bar
- Direct acting - Poppet Type

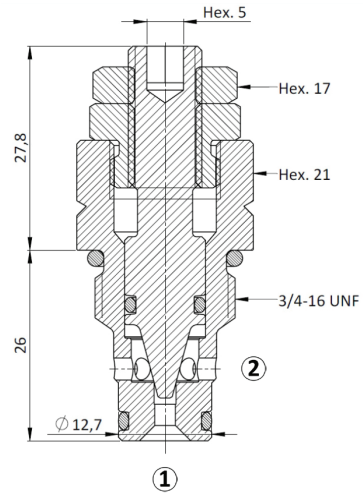
**Açıklama / Description**

A cartridge style, screw in, non pressure compensated, adjustable flow restrictor valve. Once the flow is adjusted to desired value, both the 1 to 2 and 2 to 1 flow paths are permitted. Smaller sealing area for finer flow adjustment.

**Semboller / Symbols**



**Enine Kesit / Cross Section**

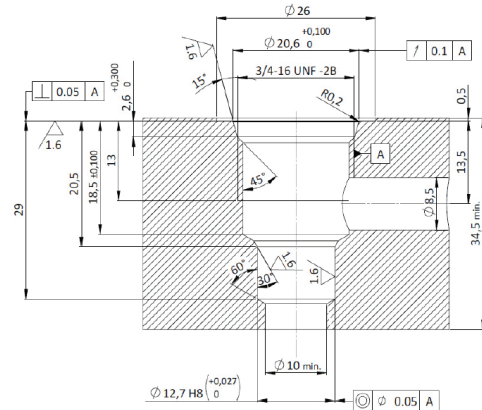


**Teknik Özellikler / Technical Features**

All external surfaces are zinc plated and corrosion-proof. All valve parts are made of high strength steel. Compact size. Industry SAE common cavity.

**Kavite Detayları / Cavity Details**

SAE08

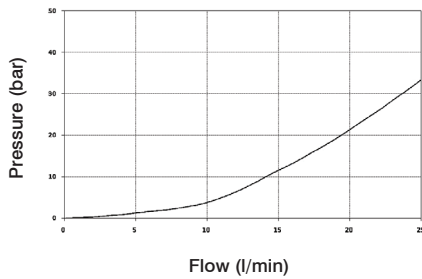


## WINMAN Kartriç Hız Ayarlar / Flow Controls

## Teknik Veri / Technical Data

Maximum operating pressure	350 bar
Maximum flow	25 l/min
External component treatment	Zn/Fe - standard (96h) Zn/Ni (720h)
O-ring Temperature Range	-30° C to 110° C (standard sealing NBR - BUNA-N)
Oil Temperature Range	-30° C to 110° C
Fluids	Mineral - based or synthetics with lubricating properties
Viscosities	7,4 to 420 cSt
Filtration	20/18/15 ISO 4406 (maximum filtration admitted)
Orientation	No restrictions
Installation torque	40 - 45 Nm
Oil testing condition	ISO VG 46 cSt
Seal kit code	SK.003
Weight	0,100 kg

## Performans Ayrıntıları / Performance Details



Note: the p/Q performance illustrated in the and are the same in both directions. p/Q curve is recorded at TOil = 40°C and 46 cSt

## Sipariş Kodu / Ordering Code

