

F.R.L. Hava Kontrol Ünitesi / F.R.L. Air Control Unit

F.R.L. 89-C89 / F.R.L. 89-C89



F89



R89



L89



FR89



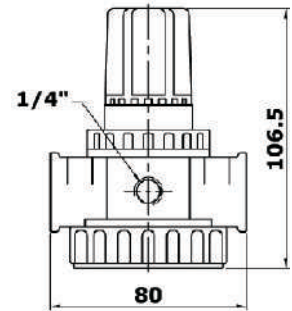
FRL89



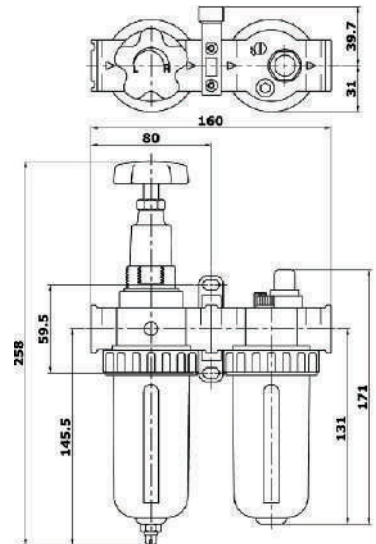
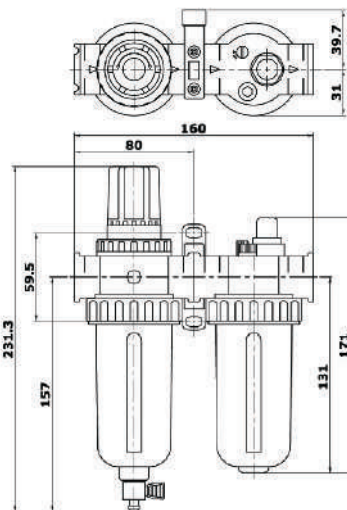
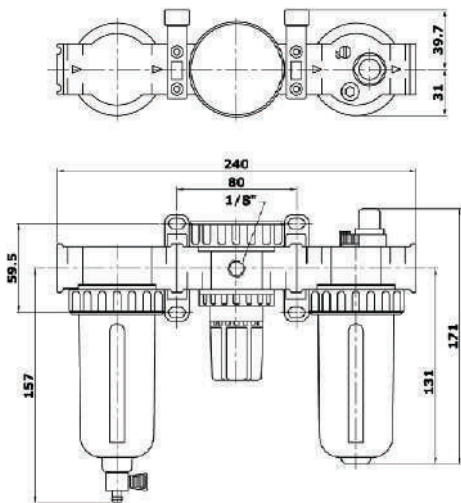
FRL834H



C89



89 Serisi Çizim / 89 Series Drawing



F.R.L. Hava Kontrol Ünitesi / F.R.L. Air Control Unit

F.R.L. 89-C89 / F.R.L. 89-C89

Özellikler / Specification

Part No.		C892	C893	C894	C832	C833	C834	FRL834H
Description		FRL892	FRL893	FRL894	FRL832	FRL833	FRL834	
Medium		Air						
Port Size (PT.NPT)		1/4"	3/8"	1/2"	1/4"	3/8"	1/2"	1/2"
Filter Element		5 μ						
Proof Input Pressure	Psi	215			250			355
	Mpa	1.5			1.7			2.4
Proof Output Pressure	Psi	145			215			284
	Mpa	0.99			1.5			2
Max Flow(L/min)		1750	2500	3000	1750	2500	3000	2500
Operation Temperature Range		5 ~ 60 °C						
Drain Capacity		80ml						
Oil Capacity		150ml						
Minimum Dripping Flow Rate (L/min(ANR))*		1/4":30 3/8":40 1/2":50						
Recommendable Lubricants		ISO VG-32						
More Options								
Air Filter		F892	F893	F894	F832	F833	F834	
Regulator		R892	R893	R894	R832	R833	R834	
Air Filter+Regulator		FR892	FR893	FR894	FR832	FR833	FR834	
Lubricator		L892	L893	L894	L832	L833	L834	

* The flow rate is 5 drops or greater/min under the following conditions: Inlet pressure of 0.5 MPa; Class 1 turbine oil (ISO VG32); Temperature at 20°C; Oil adjustment valve fully open.

* For a circuit that repeatedly turns ON and OFF on the outlet side, make the adjustment so that the average air consumption per minute becomes the minimum dripping flow rate or more.

* Lubrication cannot be properly performed if the operating flow rate is too low. Select an appropriately size lubricator by referring to the minimum dripping flow rate provided in the catalog.

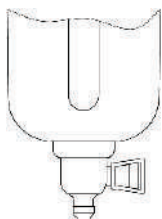
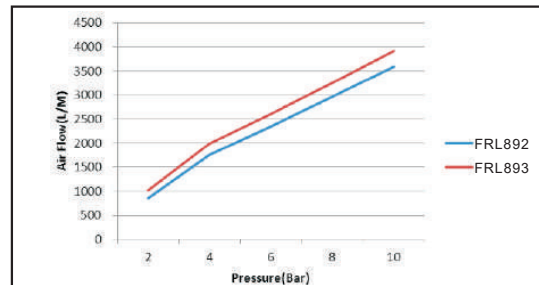
Özellikleri / Features

1. Steel guards offer better protection.
2. Easy installation and disassembly.

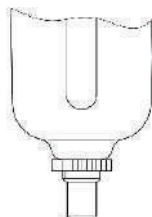
Sipariş Bilgisi/ Order Information

FRL 89 3 - A
 |
 | AUTO DRAINAGE
 | (OPTOIN)
 | PORT SIZE
 | 2-1/4"
 | 3-3/8"
 | 4-1/2"
 | TYPE SERIES
 F/R.L. COMBINATION

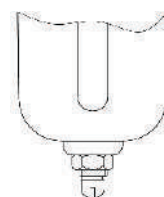
C 89 3 - A
 |
 | AUTO DRAINAGE
 | (OPTOIN)
 | PORT SIZE
 | 2-1/4"
 | 3-3/8"
 | 4-1/2"
 | TYPE SERIES
 F/R.L. COMBINATION



Semi-Auto Drain Valve



Auto Drain Valve



Manual Drain Valve