

**Winman Kod Açıklama / Code Description**

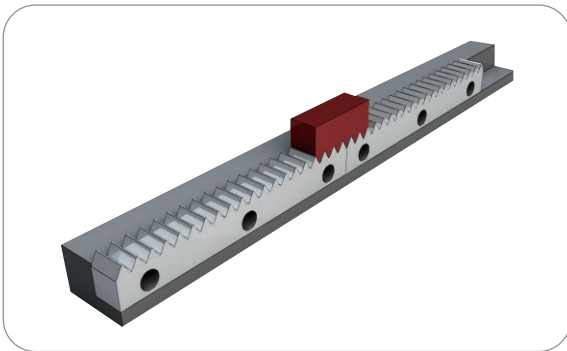
Material	Rack Type	Shape	Treatment of Tooth	Hardness	Module	Lenght	Holes	Sides Ground
<b>C</b>	<b>S</b>	<b>T</b>	<b>G</b>	<b>H/Q</b>	<b>20</b>	<b>05</b>	<b>N</b>	<b>G</b>
WC=S45C WM=SCM440	S = Straight H=Helical	T=Tetragon R=Round	G=Ground M=Milled	H=Hardened Q=Tempered & quenched Without Hardness	M2	05=500mm 10=1,000mm	N=No Holes	G=Sides Ground

**Montaj Talimatı / Assembling Instruction**

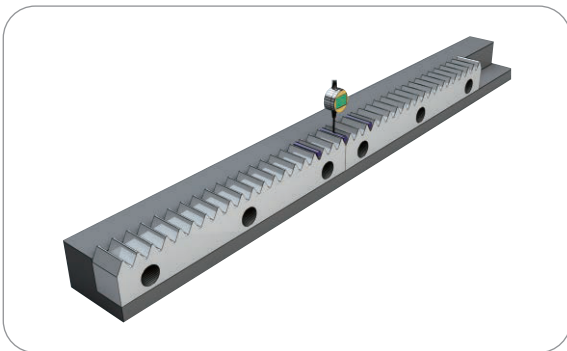
The racks can be connected to any length. The gap between two adjacent racks should be adjusted to match the pitch. Locking pins should be used when assembling the racks.



1. Fix the rack.



1. Use opposite tooth gauge to fix next ack.



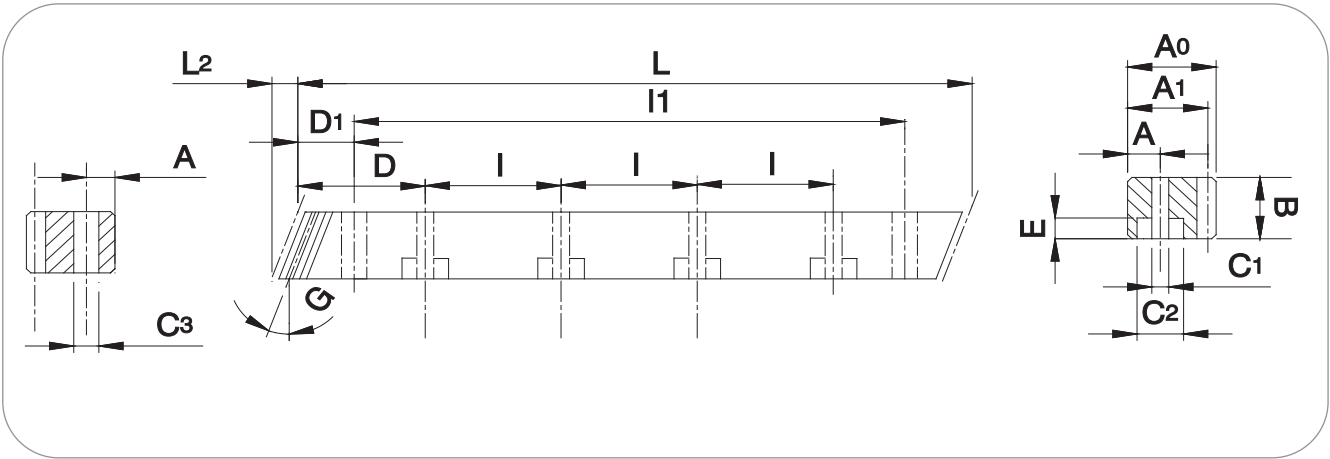
1. Check every joint and measure the levelling of the racks with round bars.

## Winman WCHTGH Serisi / WCHTGH Series

## Üretim Açıklaması / Manufacturing Description

Precision Grade	DIN 6h25
Material	S45C
Type	Helical Rack
Threatment of Teeth	Ground
Hardness	48 ~ 52 degree
Sides Ground	Included
Right hand angle	19° 31'42"
Pressure angle	20 Degree
Total Pitch Error	0.036 mm / 1000 mm

## Teknik Çizim / Technical Drawings



## Boyutlar / Dimensions

Code	Module	L	L2	Tooth No.	B	A0	A1	D	I	Hole No.	A	C1	C2	E	D1	I1	C3
WCHTGH 010 05	1	500.00	3.14	150	15	15	14	-	-	-	-	-	-	-	-	-	-
WCHTGH 015 05	1.5	500.00	6.7	100	19	19	17.5	62.50	125	4	8	7	11	7	31.7	436.6	5.7
WCHTGH 015 10	1.5	1000.00	6.7	200	19	19	17.5	62.50	125	8	8	7	11	7	31.7	936.6	5.7
WCHTGH 020 05	2	500.00	8.5	75	24	24	22	62.50	125	4	8	7	11	7	31.7	436.6	5.7
WCHTGH 020 10	2	1000.00	8.5	150	24	24	22	62.50	125	8	8	7	11	7	31.7	936.6	5.7
WCHTGH 030 05	3	500.00	10.3	50	29	29	26	62.50	125	4	9	10	15	9	35.0	430.0	7.7
WCHTGH 030 10	3	1000.00	10.3	100	29	29	26	62.50	125	8	9	10	15	9	35.0	930.0	7.7
WCHTGH 040 05	4	506.67	13.8	38	39	39	35	62.50	125	4	12	10	15	9	33.3	433.0	7.7
WCHTGH 040 10	4	1000.00	13.8	75	39	39	35	62.50	125	8	12	10	15	9	33.3	933.4	7.7
WCHTGH 050 05	5	500.00	17.4	30	49	49	34	62.50	125	4	12	14	20	13	37.5	425.0	11.7
WCHTGH 050 10	5	1000.00	17.4	60	49	49	34	62.50	125	8	12	14	20	13	37.5	925.0	11.7
WCHTGH 060 05	6	500.00	20.9	25	59	59	43	62.50	125	4	16	18	26	17	37.5	425.0	15.7
WCHTGH 060 10	6	1000.00	20.9	50	59	59	43	62.50	125	8	16	18	26	17	37.5	925.0	15.7
WCHTGH 080 05	8	480.00	28.0	18	79	79	71	62.00	120	4	25	22	33	21	120.0	240.0	19.7
WCHTGH 080 10	8	960.00	28.0	36	79	79	71	62.00	120	8	25	22	33	21	120.0	720.0	19.7
WCHTGH 100 10	10	1000.00	35.11	30	99	99	89	62.50	125	8	32	33	48	32	125.0	750.0	19.7
WCHTGH 120 10	12	1000.00	42.56	25	120	120	108	40.00	125	8	40	39	58	38	125.0	750.0	19.7