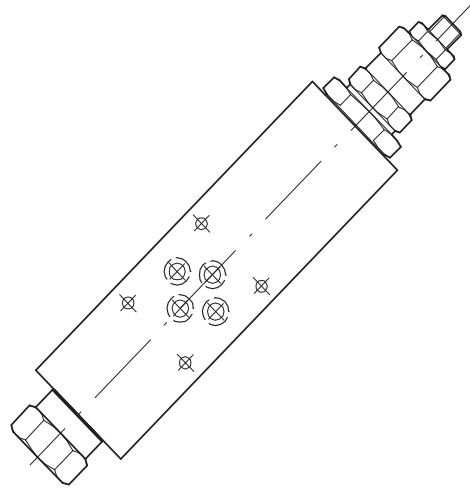
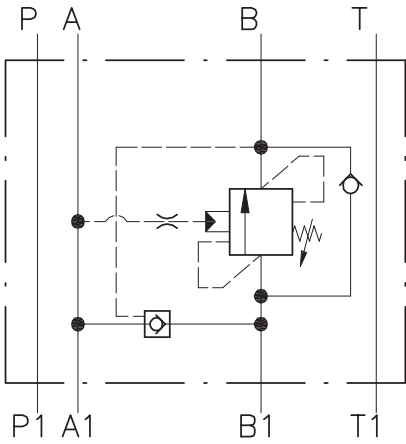


WINMAN SINGLE COUNTERBALANCE VALVE WITH REGENERATIVE / FUNCTION AND SANDWICH CETOP VERSION

6.157.X / VR-CRR-CTP3 Series



Performance

Rated size	DN 6
Max flow in P port	30 l/min
Max working pressure	350 bar
Max setting pressure	350 bar
Room temperature	-30°C + 50°C
Oil temperature	-30°C + 80°C
Recommended filtration	30 micron
Weight	

NOTE:

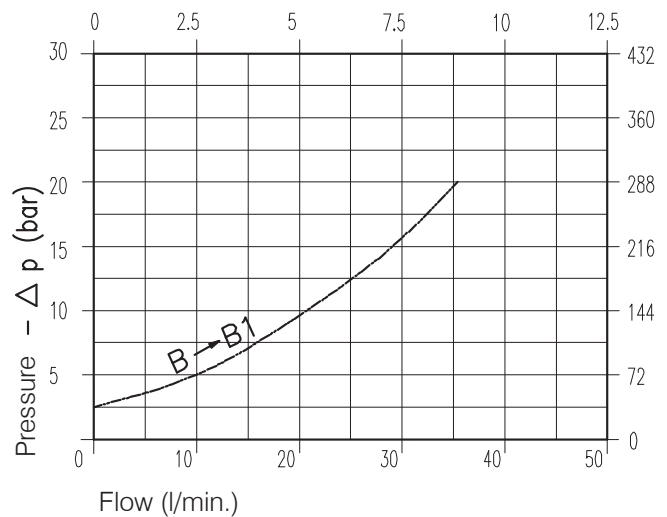
Valve should be set at 1.3 times load induced pressure.

EXAMPLE:

Max working pressure:

350 bar / 1.3 = 270 bar

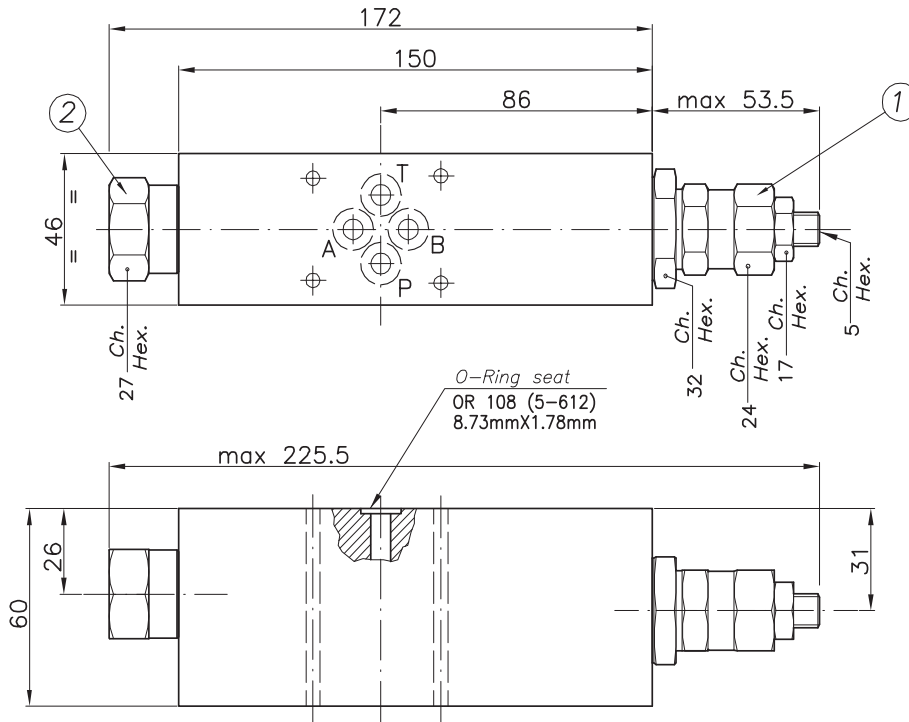
Sandwich module for ISO 3 directional solenoid valves with regenerative flow from B1 to A1, with adjustable automatic exclusion by an overcenter valve, used for fast extension of cylinder rod.



Oil viscosity 45cSt at 50°C

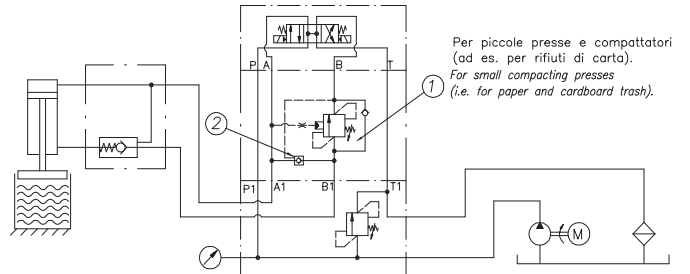
WINMAN SINGLE COUNTERBALANCE VALVE WITH REGENERATIVE / FUNCTION AND SANDWICH CETOP VERSION

6.157.X / VR-CRR-CTP3 Series



Dimensions

Port Size GAS (bspp)		
Setting range	Thread connections Ports ISO 1179-1(BSSP) A1-B1/P1-T1	Thread connections Ports ISO 4401 A-B/P-T
157	size 06 CTP3	size 06 CTP3



How to Order

6 . 157 . 0 X 0

Setting range

157

Setting range 60÷350 bar (yellow spring)

Std. bar setting (Q=5 l/1')
250 bar

Pressure rise - bar/turn of scw
(138)

Pilot ratios

0 | 4.25 : 1

Adjustment

X | Dowel