

WINMAN Oransal Solenoid Valfler / Proportional Solenoid Valves

WJ 0320 Oransal Solenoid Valfler / WJ 0320 Proportional Solenoid Valves

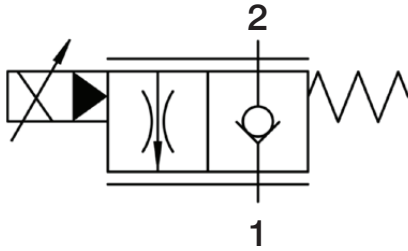


- SAE Cartridge - 250 bar
- Solenoid Valve
- 2 way proportional flow control

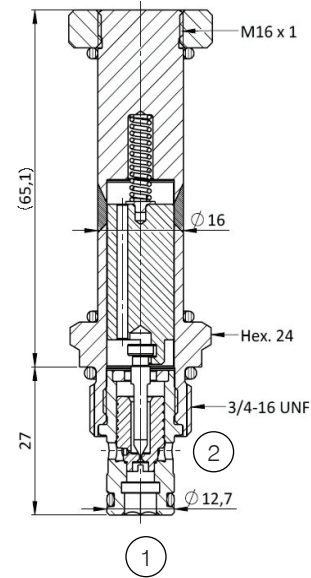
Açıklama / Description

The WJ is a proportional solenoid operated, twoway, poppet type, normally closed, screw-in hydraulic cartridge valve for low leakage blocking and load-holding applications. When de-energized, the valve operates as a check valve and allows flow from 1 to 2, while blocking flow from 2 to 1. When energized, the valve opens 2 to 1 flow path: flow is proportional to the current applied to the coil.

Semboller / Symbols



Enine Kesit / Cross Section

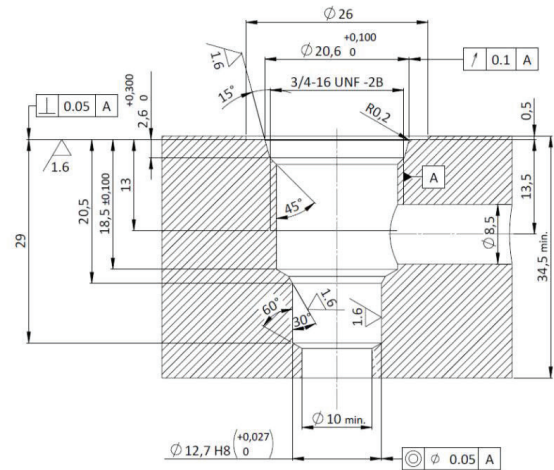


Teknik Özellikler / Technical Features

All External surfaces are zinc plated and corrosion proof. All valve parts are made of high strength steel. Poppet and seat are hardened and micron finished to guarantee minimal wear and to extend service life. Efficient wet armature design. Industry SAE common cavity.

Kavite Detayları / Cavity Details

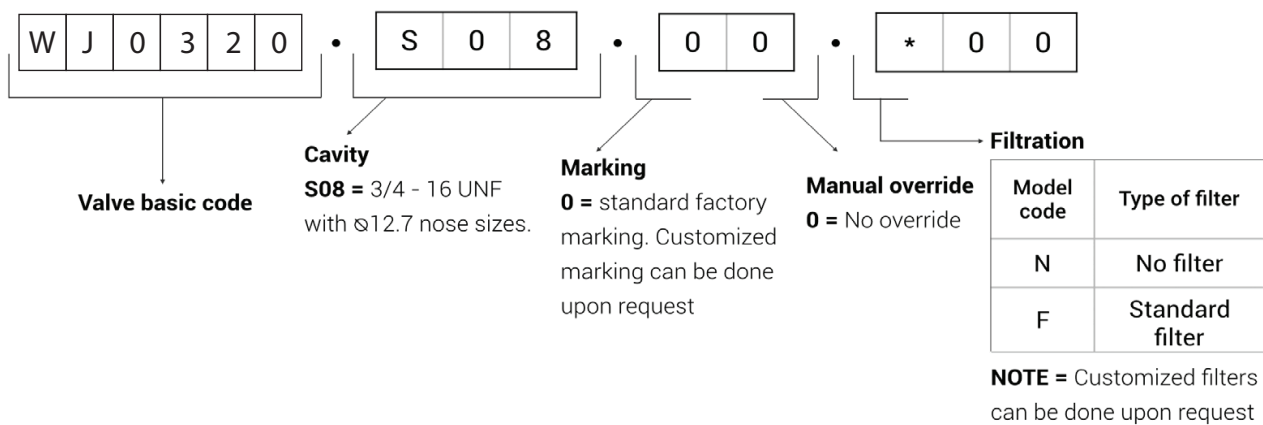
SAE08



WINMAN Oransal Solenoid Valfler / Proportional Solenoid Valves

Teknik Veri / Technical Data

Maximum operating pressure	250 bar
Maximum flow	30 l/min
Maximum Internal leakage	0,25 cm ³ / min @ 250 bar
O-ring Temperature Range	-30° C to 110° C (standard sealing NBR - BUNA-N)
Oil Temperature Range	-30° C to 110° C
Fluids	Mineral - based or synthetics with lubricating properties
Viscosities	7,4 to 420 cSt
Minimum pull-in voltage	85% of nominal
Filtration	20/18/15 ISO 4406 (maximum filtration admitted)
Orientation	No restrictions
Installation torque	40 - 45 Nm
Oil testing condition	ISO VG 46 cSt
Seal kit code	SK.070 and SK.030 (coil)
Coil	26W
Weight	0,150 kg

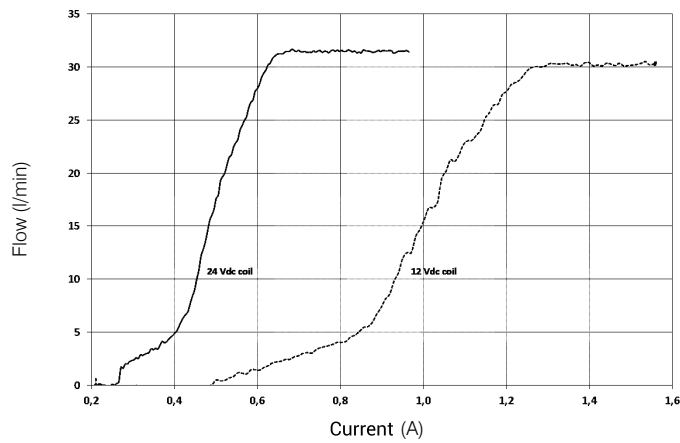


WINMAN Oransal Solenoid Valfler / Proportional Solenoid Valves

Akış Düzenleme Grafikleri / Flow Regulation Graphs

 $D_p = 15 \text{ bar}$

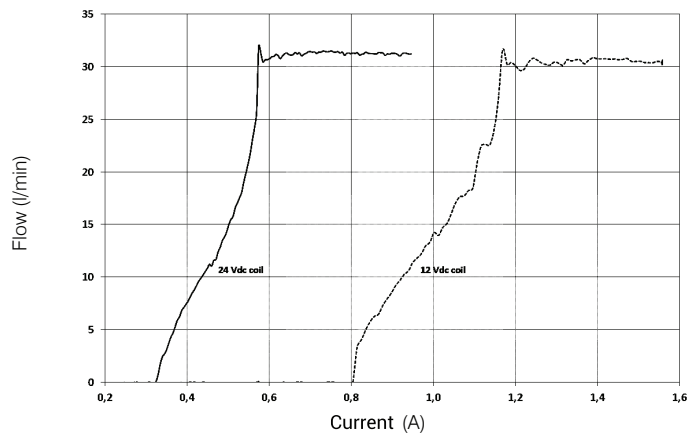
Q/I performance



Note: The performance chart illustrates flow regulation (energized @12 Vdc and @24Vdc). Q/I curves are recorded at TOil = 40°C and 46 cSt.

 $D_p = 250 \text{ bar}$

Q/I performance

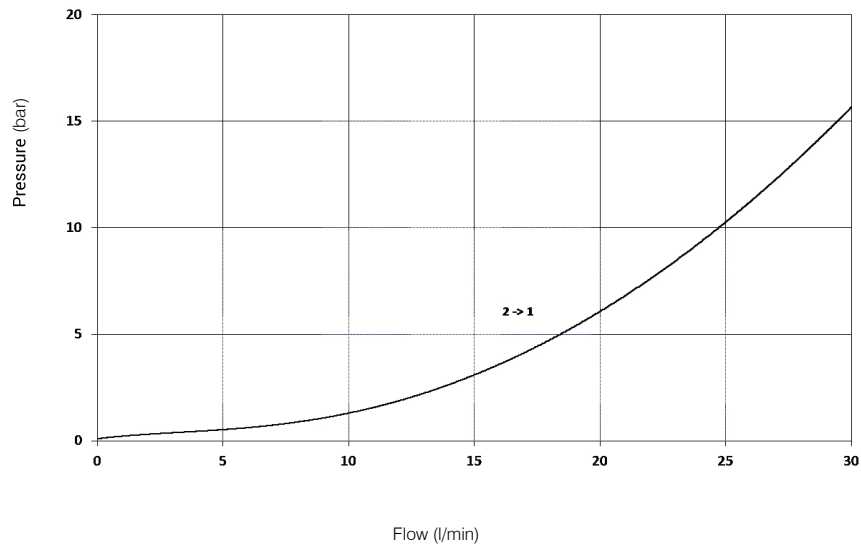


Note: The performance chart illustrates flow regulation (energized @12 Vdc and @24Vdc). Q/I curves are recorded at TOil = 40°C and 46 cSt.

WINMAN Oransal Solenoid Valfler / Proportional Solenoid Valves**Karakteristik Eğri / Characteristic Curve**

Pressure Vs Flow

p/Q performance



Note: The performance chart illustrates flow handling capacity 2 to 1 (energized with max current @24Vdc).
p/Q curves are recorded at TOil = 40°C and 46 cSt.

Specifications may change without notice.