

VCC140 Festes Steuerventil/Fixed Control Valve

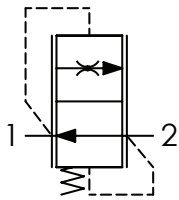
VCC140 Serie/Series



Spezialität/Speciality

Mineralöl/Mineral oil	ISO 6743/4
Ölviskosität/Oil viscosity	15-250 mm ² /s
Max. Verschmutzungsindex mit Filter/Max contamination index with filter	ISO 4406:1999
Öltemperatur/Oil temperature	-20°C +80°C
Umgebungstemperatur/Ambient temperature	-20°C +50°C
Zum Schutz des Ventils ist ein Filter erforderlich (empfohlene Filtration 15 µm)./ It is necessary a filter use to protect the valve (advised filtration 15 µm)	

Kontrollport/Control Port(s)

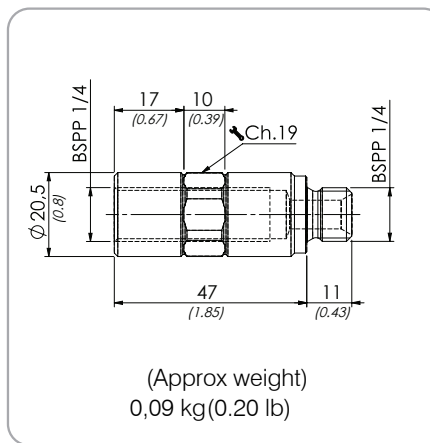


Bestellcode/Ordering Code

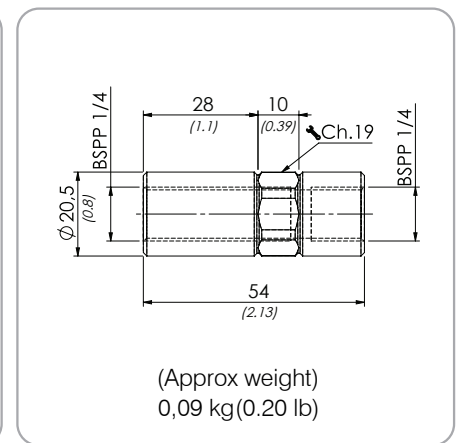
1	2
VCC140	

Leistung/Performance

Type
61100160



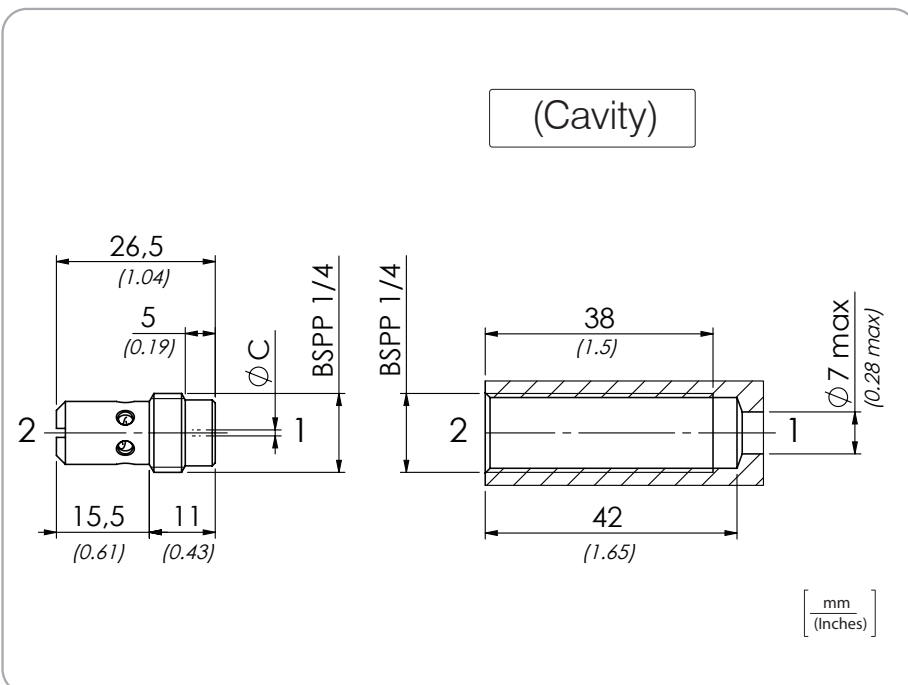
Type
61100159



01	(Fixed flow control valves - pressure compensated)	VCC140
02	Controlled flow at 100 bar ± 10 %	1 l/min (0.26 USgpm) 1
		2 l/min (0.53 USgpm) 2
		3 l/min (0.79 USgpm) 3
		4 l/min (1.06 USgpm) 4
		5 l/min (1.32 USgpm) 5
		6 l/min (1.58 USgpm) 6
		7 l/min (1.85 USgpm) 7
		8 l/min (2.11 USgpm) 8
		9 l/min (2.38 USgpm) 9
		10 l/min (2.64 USgpm) 10
		11 l/min (2.90 USgpm) 11
		12 l/min (3.17 USgpm) 12

Type	Max Flow Maxi Fluss l/min	Max Druck Max pressure bar	Anzugsdrehmoment Tightening torque Nm	Geschätztes Gewicht Approx weight kg
VCC140	12(3.2)	250(3625)	4 (3)	0,014(0.031)

Maße/Dimensions



(Type)	Ø C
VCC1401	1 (0.04)
VCC1402	1,2 (0.05)
VCC1403	1,5 (0.06)
VCC1404	1,7 (0.07)
VCC1405	1,9 (0.07)
VCC1406	2,1 (0.08)
VCC1407	2,3 (0.09)
VCC1408	2,4 (0.09)
VCC1409	2,7 (0.11)
VCC14010	2,8 (0.11)
VCC14011	3,1 (0.12)
VCC14012	3,3 (0.13)