

**VSC120 Festes Steuerventil/Fixed Control Valve**

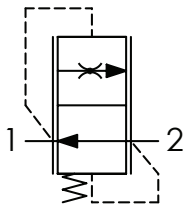
**VSC120 SERIES**



**Spezialität/Speciality**

Mineralöl/Mineral oil	ISO 6743/4
Ölviskosität/Oil viscosity	15-250 mm <sup>2</sup> /s
Max. Verschmutzungsindex mit Filter/Max contamination index with filter	ISO 4406:1999
Öltemperatur/Oil temperature	-20°C +80°C
Umgebungstemperatur/Ambient temperature	-20°C +50°C
Zum Schutz des Ventils ist ein Filter erforderlich (empfohlene Filtration 15 µm)./ It is necessary a filter use to protect the valve (advised filtration 15 µm)	

**Kontrollport/Control Port(s)**



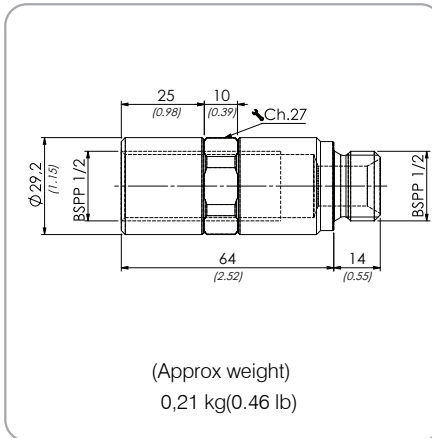
**Bestellcode/Ordering Code**

<b>1</b>	<b>2</b>
<b>VCC120</b>	

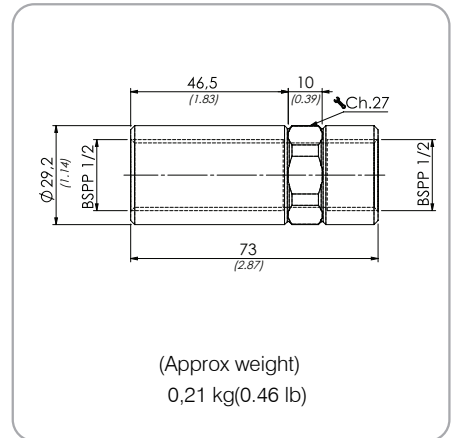
01	(Fixed flow control valves - pressure compensated)	VSC120
02	Controlled flow at 100 bar ± 10 %	9 l/min (2.38 USgpm) 9
		12 l/min (3.17 USgpm) 12
		17 l/min (4.49 USgpm) 17
		21 l/min (5.54 USgpm) 21
		27 l/min (7.1 USgpm) 27
		32 l/min (8.45 USgpm) 32
		40 l/min (10.56 USgpm) 40
	47 l/min (12.4 USgpm) 47	

**Leistung/Performance**

**Type 61100033**

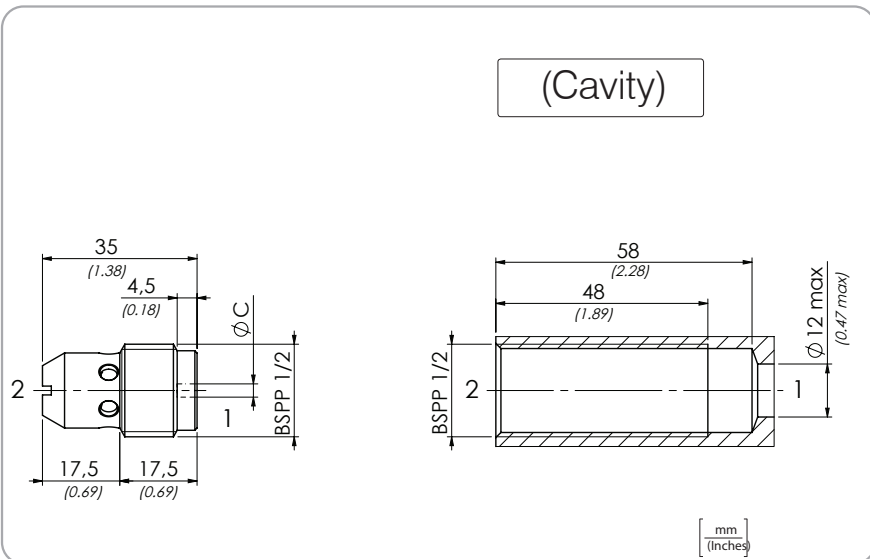


**Type 61100094**



Type	Max Flow Maxi Fluss l/min	Max Druck Max pressure bar	Anzugsdrehmoment Tightening torque Nm	Geschätztes Gewicht Approx weight kg
VSC120	47(12.4)	250(3625)	10(7.5)	0,050(0.11)

**Maße/Dimensions**



(Type)	Ø C
VSC1209	2,5 (0.10)
VSC12012	3 (0.12)
VSC12017	3,5 (0.14)
VSC12021	4 (0.16)
VSC12027	4,5 (0.18)
VSC12032	5 (0.20)
VSC12040	5,5 (0.22)
VSC12047	6 (0.24)