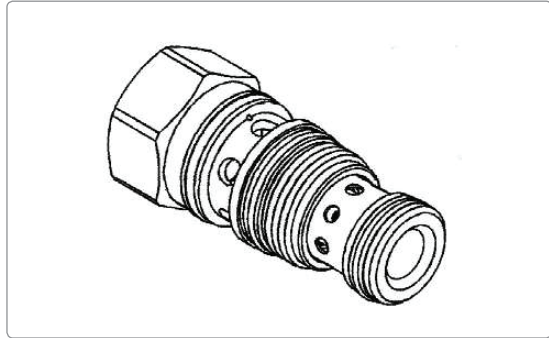


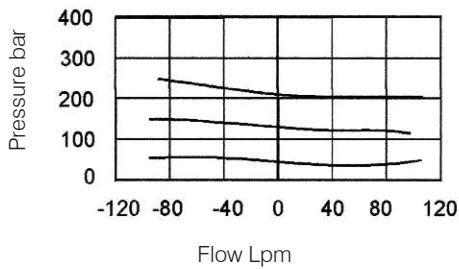
WRBP 03 SERIES CARTRIDGE REDUCING / RELIEVING VALVES (PILOT CONTROL VALVES)



Spezifikationen/Specifications

Model Number	Betriebsdruck/ Operating Pressure (bar)	Ström./Flow (lpm)	Gewicht/Weight (Kg)
WRBP-03	350 (5076 psi)	80 (21.13 gpm)	0.30(0.66 lbs)
Flüssigkeitstyp/Fluid Type		ISO VG 32, 46, 68	
Viskosität cSt/Viscosity cSt		10~ 400 (59~ 1854 SSU)	
Betriebstemperatur/Operating Temperature °C		-15 ~ 70 (-5~ 158 °F)	
Verschmutzungsgrad/Contamination Level		ISO4406.21/19/16 NAS1638, 10	

Leistung/Performance



Description

The -8 control option allows a pilot control valve to be incorporated directly into the end of the modulating element via the T-8A cavity. These pilot control cartridges are sold separately and include electro-proportional, Solenoid, air pilot, and hydraulic pilot operation.

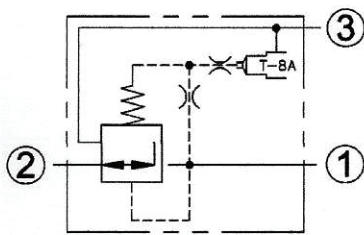
Wie man bestellt/How To Order

1	2
WRBP	03

1 Ventil-Serie/Valve Series
WRBP=Cartridge Type Reducing / Relieving Valves (Pilot Control Valves)

**2 Größe der Montageplatte
Subplate Mounting Size**
03 :T-2A
Cavity : CST-2A

Steuerport (S)/Control Port (S)



Maße/Dimensions

